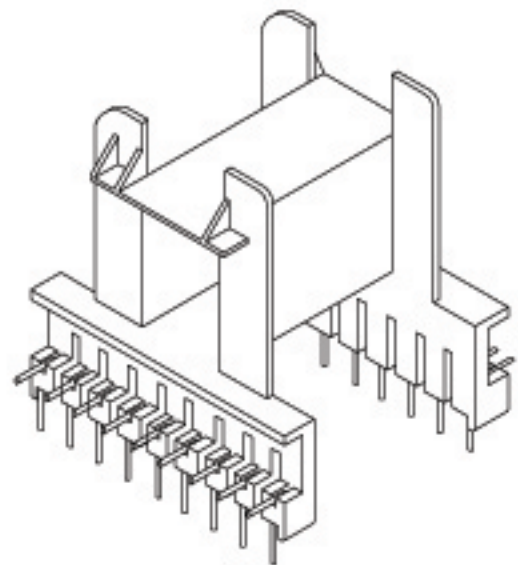
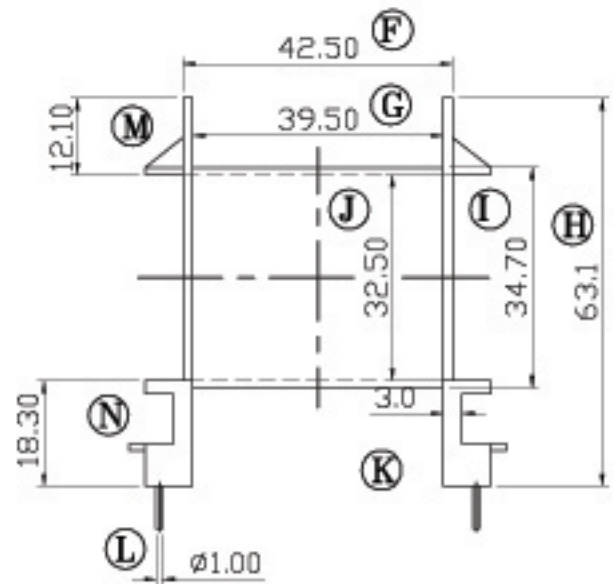
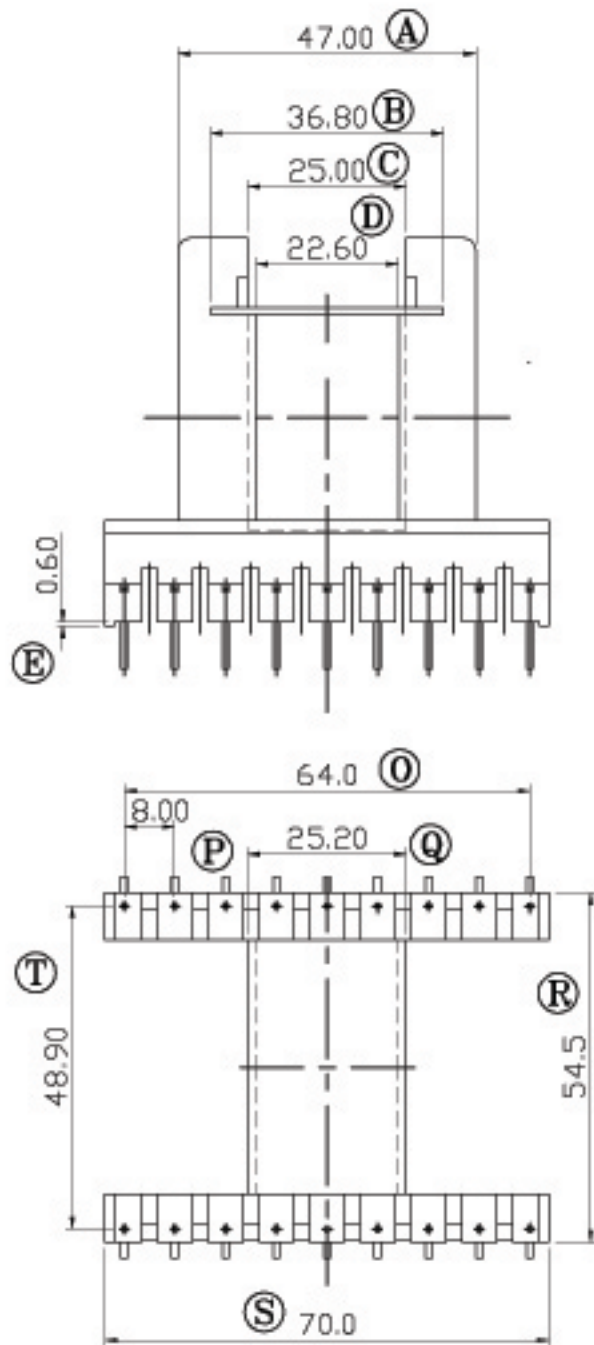


| ISSUE | DESCRIPTION | DATE |
|-------|-----------------------|----------|
| B | RELEASE FOR QUOTATION | 99.08.13 |
| C | | 99.08.25 |



| | | | | | |
|---|-----------|---------------|-----------|---------------------------------------|--|
| LEPCOS (North-West Laboratory) http://ferrite.ru | MODEL: | P-7001 | MATERIAL: | PBT | |
| | UNIT: | MM | SCALE: | 1/1.2 | |
| Санкт-Петербург т(812)369-51-80 | DRWN BY: | | 99.08.25 | TOLERANCE | |
| | CHECK BY: | | | X.X : ± 0.30 X.XX : ± 0.20 | |
| UL RECOGNITION: | 94V-0 | APPROVED: | | 壁厚 : ± 0.15 PIN 徑 : ± 0.05 | |