



Client:	MAGNETEC	Magnetec P/N:	M-582	Magnetec A/N:	82566
Client's P/N:	/	PS Index:	02S	PS Revision:	02
Subject:	EMC Wandler	Type:			

**Preliminary datasheet : This document is strictly confidential ! It is subject to change without prior notice !**

**1. Mechanical Outline**

Nominal core dimensions:

**300 x 250 x 30**

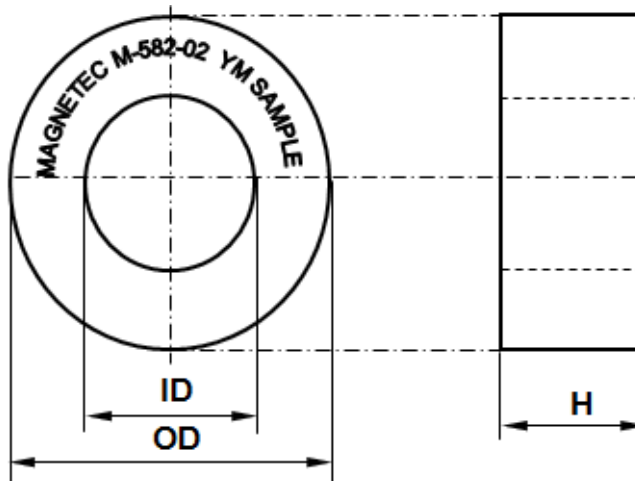
Finished product dimensions:

OD ≤ 305

ID ≥ 246,5

H ≤ 35

[dimensions] = mm



**2. Core data (nominal values)**

Core material:	NANOPERM®	$L_{Fe} = 86,4 \text{ cm}$	$A_{Fe} = 4,94 \text{ cm}^2$
Permeability level:	8 000	@ frequency 10 kHz	@ H peak 3 mA/cm

**3. Inspection values**

	Measured value	Measurement limits	Frequency	leff x N [mA x turn]
AL [μH]		4 - 8	10 kHz	183
AL [μH]		3,4 - NA	100 kHz	183

**4. Core finishing**

Type:	Cased
Marking:	MAGNETEC M-582-02 YM SAMPLE (YM = Year/Month), acc. to IEC 60062 6.1.1
Packaging:	1 pcs. per layer; 1 layers per carton box ; PU = 1 pcs.

**5. Comments :**



Index / Revision	Alteration	Date
01S / 01	Sample Specification	27.02.2012
02S / 02	Core size and AL window change	24.11.2014

Created:	Z. Palánki	Approved (Techn):		Approved (Quality):		Released:	
	24.11.2014						