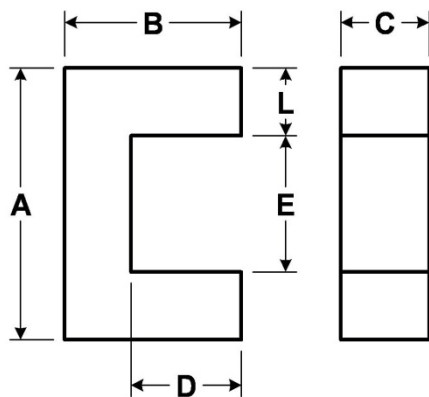




00K4111U060

110 Delta Drive
 Pittsburgh, PA 15238
 Phone: 412/696-1333
 Fax: 412/696-0333
 Email:magnetics@spang.com



| Permeability (μ) | A_L (nH/T ²) |
|------------------------|----------------------------|
| 60 | 95 ± 8% |

| DIMENSIONS (mm) | | ± |
|-----------------|-------|------|
| A | 40.63 | 0.51 |
| B | 11.18 | 0.26 |
| C | 12.07 | 0.38 |
| D (min) | 2.54 | -- |
| E (min) | 23.88 | -- |
| L (nom) | 8.38 | -- |

| Markings | | |
|------------|-------------|------------------|
| XXXXXX | 00K4111U060 | N/A |
| Lot Number | Part Number | Inductance Grade |

| Physical Characteristics | | | | |
|---|---------------------------|------------------------------------|----------------|-----------------------|
| A_e (mm ²) Cross Section | L_e (mm) Path Length | V_e (mm ³) Volume | Weight (grams) | Box Quantity (pieces) |
| 101 | 85.2 | 8,600 | 23.7 | 480 |

| Available Hardware |
|--------------------|
| |
| |
| |

