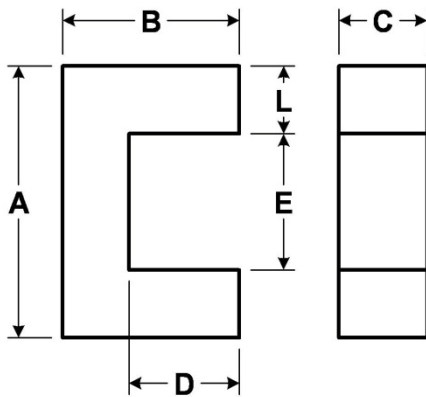




00K6533U026

110 Delta Drive
 Pittsburgh, PA 15238
 Phone: 412/696-1333
 Fax: 412/696-0333
 Email:magnetics@spang.com



Permeability (μ)	A_L (nH/T ²)
26	82 ± 8%

DIMENSIONS (mm)	
A	65.15 ± 1.35
B	32.51 ± 0.30
C	20.02 ± 0.41
D (min)	19.41
E (min)	39.24
L (nom)	12.51

Markings		
XXXXXX	00K6533U026	N/A
Lot Number	Part Number	Inductance Grade

Physical Characteristics				
A_e (mm ²) Cross Section	L_e (mm) Path Length	V_e (mm ³) Volume	Weight (grams)	Box Quantity (pieces)
250	199	49,750	132	54

Available Hardware

