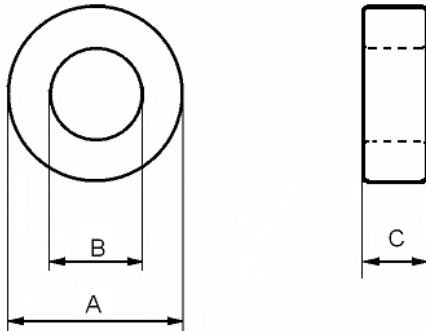




0077102A7

110 Delta Drive
 Pittsburgh, PA 15238
 Phone: 412/696-1333
 Fax: 412/696-0333
 Email:magnetics@spang.com



Permeability (μ)	A_L (nH/T ²)
26	48 ± 8%

Dimensions (mm)		
	Uncoated	Coated
O.D. (A)	101.6 nom	102.9 max
I.D. (B)	57.2 nom	56.1 min
Ht. (C)	16.5 nom	17.7 max

Markings		
XXXXXX	77102A7	N/A
Lot Number	Part Number	Inductance Grade

Physical Characteristics					
W_A (mm ²) Window Area	A_e (mm ²) Cross Section	L_e (mm) Path Length	V_e (mm ³) Volume	Weight (grams)	Box Quantity (pieces)
2,470	356	243	86,500	475	25

