

Non Magnetic, Sapphire Dielectric Trimmer Capacitors

SAPPHIRE DIELECTRIC TRIMMER CAPACITORS, RoHS COMPLIANT

DESCRIPTION

Sapphire dielectric

Non Magnetic structure

Rated voltage 500 VDC to 1500 VDC

Low magnetic signature, less than 10^{-12} Tesla

Low temperature coefficient

Very stable over time

High Q factor

Multi-turn, high resolution

Self-locking constant torque drive mechanism

Silver and chromate finish

ROHS compliant

Maximum Soldering Temperature 260°C, 3 s Max



APPLICATIONS

Magnetic Resonance Imaging

Nuclear Magnetic Resonance

Medical Applications

Non magnetic probes

I. ELECTRICAL SPECIFICATIONS

P/N	AT 57290 ROHS	AT 57250 ROHS	TG 091 ROHS	TG 092 ROHS
Capacitance range	0.8 to 8.0 pF >16 turns	1.0 to 13 pF > 8 turns	0.5 to 8.0 pF > 28 turns	0.5 to 10 pF > 28 turns
Working Voltage	500 VDC	1500 VDC	1500 VDC	1000 VDC
Test Voltage	1000 VDC	2250 VDC	2500 VDC	1600 VDC
Working Temp. range	-55°C to + 125°C			
Temp. Coefficient	350+/-75 ppm/°C	350+/-75 ppm/°C	350+/-75 ppm/°C	350+/-75 ppm/°C
Q factor	>3000@100 MHz	>1500@100 MHz	>2500@100 MHz	>2000@100 MHz
Insulation Resistance	>10 ⁴ MΩ			

Capacitance change is linear versus rotation of mobile rotor.

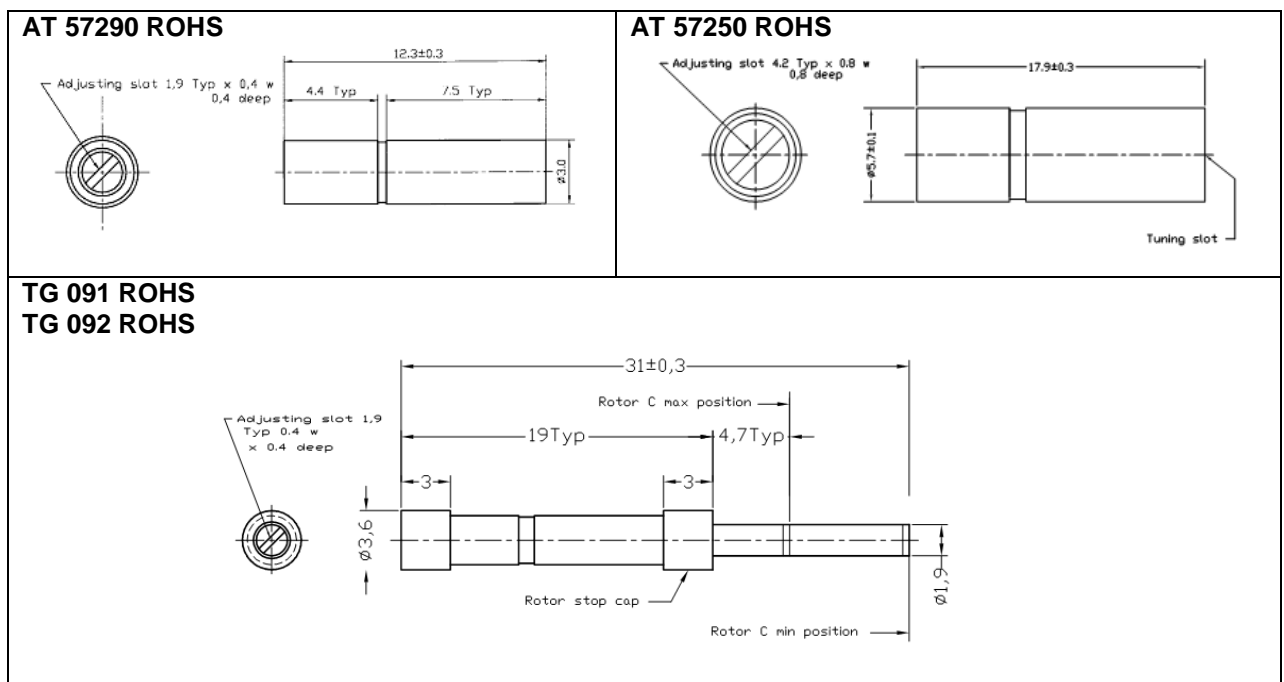
Non Magnetic, Sapphire Dielectric Trimmer Capacitors

SAPPHIRE DIELECTRIC TRIMMER CAPACITORS, RoHS COMPLIANT

III. MECHANICAL & GENERAL SPECIFICATIONS

P/N	AT 57290 ROHS TG 091 ROHS TG 092 ROHS	AT 57250 ROHS
Rotating torque	10 to 100 g.cm	50 to 500 g.cm
Max torque on rotor stop	150 g.cm	700 g.cm
Rotational life	> 400 revolutions	> 400 revolutions
Vibrations	60g, 10-2000 Hz	60g, 10-200 Hz
Shocks	100g, 6 ms	100g, 6 ms

IV. MODELS & DIMENSIONS in mm



NOTA: AT 57290 ROHS and AT 57250 ROHS can be delivered with extended shaft upon request.

V. SOLDERING

Hand soldering: Use a temperature controlled 40 watts iron set at 260°C maximum. The solder joint should be made on 3 seconds or less.

VII. RECOMMENDATIONS FOR CLEANING

Delivered without sealing cap, these Trimmer Capacitors have to be installed after circuit board have been cleaned.

Non Magnetic, Sapphire Dielectric Trimmer Capacitors

SAPPHIRE DIELECTRIC TRIMMER CAPACITORS, RoHS COMPLIANT

VIII. PACKAGING

Parts are delivered in bulk.

IX. HOW TO ORDER

Non Magnetic High Voltage Sapphire Dielectric trimmer capacitors

	Reference	RoHS
Examples	AT 57290	ROHS
	AT 57250	ROHS

X. TUNING TOOL

Recommended Tuning Tool reference is **AT 8777**
Improper screwdriver size will cause internal thread damage.

XI. ADJUSTING

The maximum torque on rotor stop value should not be exceeded or damage to capacitor may result.
Always use the recommended tuning tool.