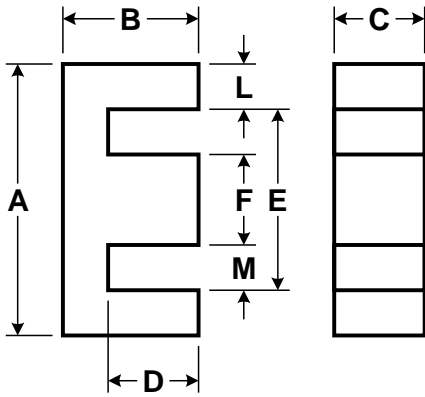




# 00K5528E026

110 Delta Drive  
 Pittsburgh, PA 15238  
 Phone: 412/696-1333  
 Fax: 412/696-0333  
 Email:magnetics@spang.com



Permeability ( $\mu$ )	$A_L$ (nH/T <sup>2</sup> )
26	116 ± 8%

DIMENSIONS (mm)		±
A	54.86	0.81
B	27.56	0.41
C	20.62	0.38
D (min)	18.50	--
E (min)	37.49	--
F	16.76	0.38
L (nom)	8.38	--
M (min)	10.29	--

Markings		
XXXXXX	00K5528E026	N/A
Lot Number	Part Number	Inductance Grade

Available Hardware
00B5528B1
PCB5528WB

Physical Characteristics				
$A_e$ (mm <sup>2</sup> ) Cross Section	$L_e$ (mm) Path Length	$V_e$ (mm <sup>3</sup> ) Volume	Weight (grams)	Box Quantity (pieces)
350.0	123	43,100	115.9	112

