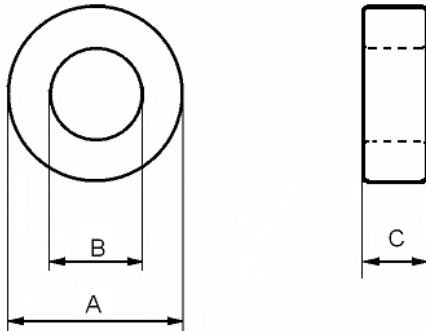




**0077099A7**

110 Delta Drive  
 Pittsburgh, PA 15238  
 Phone: 412/696-1333  
 Fax: 412/696-0333  
 Email: magnetics@spang.com



Permeability ( $\mu$ )	$A_L$ (nH/T <sup>2</sup> )
60	111 $\pm$ 8%

Dimensions (mm)		
	Uncoated	Coated
O.D. (A)	101.6 nom	103.0 max
I.D. (B)	57.20 nom	55.75 min
Ht. (C)	16.5 nom	17.9 max

Markings		
XXXXXX	77099A7	N/A
Lot Number	Part Number	Inductance Grade

Physical Characteristics					
$W_A$ (mm <sup>2</sup> ) Window Area	$A_e$ (mm <sup>2</sup> ) Cross Section	$L_e$ (mm) Path Length	$V_e$ (mm <sup>3</sup> ) Volume	Weight (grams)	Box Quantity (pieces)
2,470	358	243	86,900	520	25

Winding Turn Length (mm)			
Winding Factor	Length/Turn	Winding Factor	Length/Turn
0%	82.2	40%	111
20%	96.8	45%	116
25%	100	50%	120
30%	103	60%	128
35%	108	70%	139

Wound Coil Dimensions (mm)	
Maximum O.D. (70%)	136
Maximum HT. (70%)	55.1

Surface Area (mm <sup>2</sup> )	
Unwound Core	20,700
40% Winding Factor	34,600

