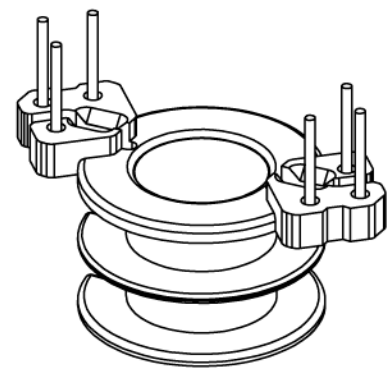
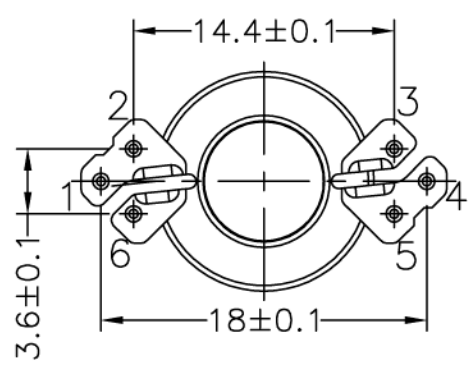
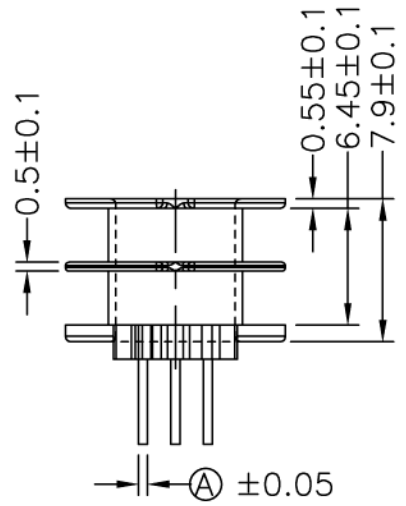
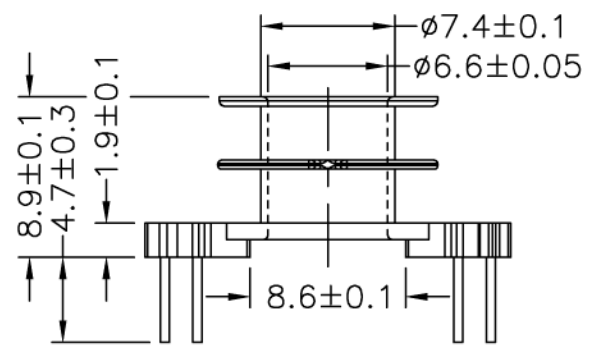
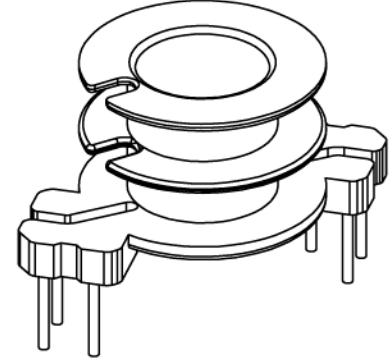
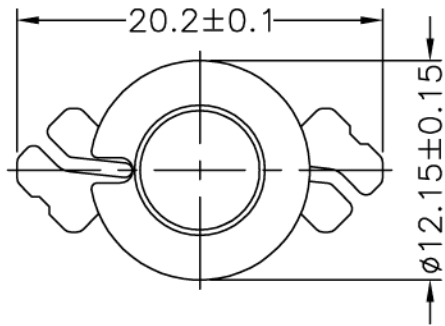


**LEPCOS (North-West Laboratory)**  
 http://ferrite.ru Tel/fax +7-812-369-11-54  
 St-Petersburg, Russia

REVISIONS				
REV	SYM	DRAFTER	CHECKER	DATE
1		T.S.LII	W.H.HSU	02/14/01
2		T.S.LII	W.H.HSU	06/02/03
3				



PART NO.	Bobbin RM6 2 sec 6 pin							
DWG NO.	E-045-1							
	MATERIAL (BOBBIN)	MATERIAL (TERMINAL)	TERMINAL (PLATING)		E-045-1	ALL PIN, (A)=∅ 0.5		
E-045-1	PM-9630	C.P WIRE	Sn	PART NO.	REV	MODE NO	PIN LOCATION	
				Finish: 1-1. Immersion gold on terminal. Thickness gold 0.075 μm (3 μ inches) min, Base nickel 0.625 μm (25 μ inches) min. 1-2. Immersion Sn on terminal. Terminal:Sn plating,100, 5 μm (200 μ inches) min Base nickel 0.625 μm (25 μ inches) min. 1-3. Immersion Sn/Pb on terminal. Terminal:Sn/Pb plating,90/10, 5 μm (200 μ inches) min Base nickel 0.625 μm (25 μ inches) min. (for pin GW type) 2. Coplanarity deviation: 0.004 inches max.			TOLERANCE	.X ± 0.15 .XX ± 0.10 .XXX ± 0.05
							UNIT	m/m
							SCALE	2.5 : 1
							REV	2