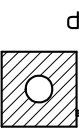
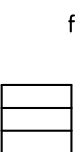




a



b



c



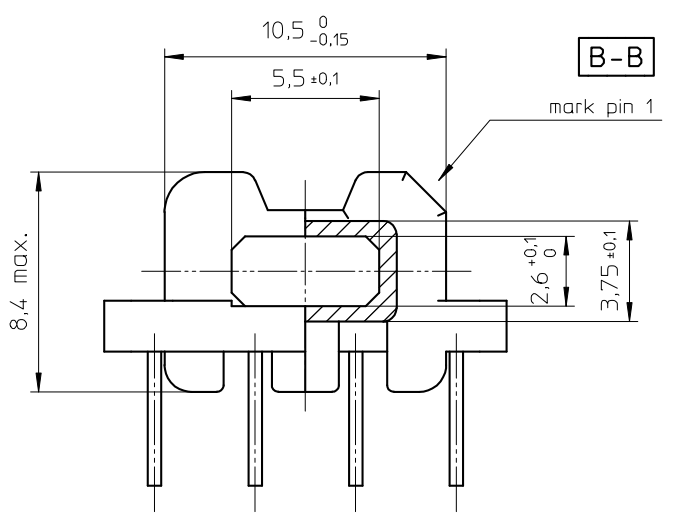
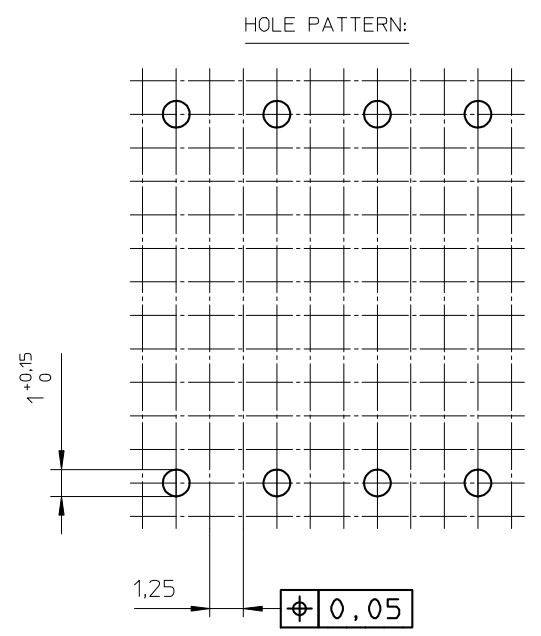
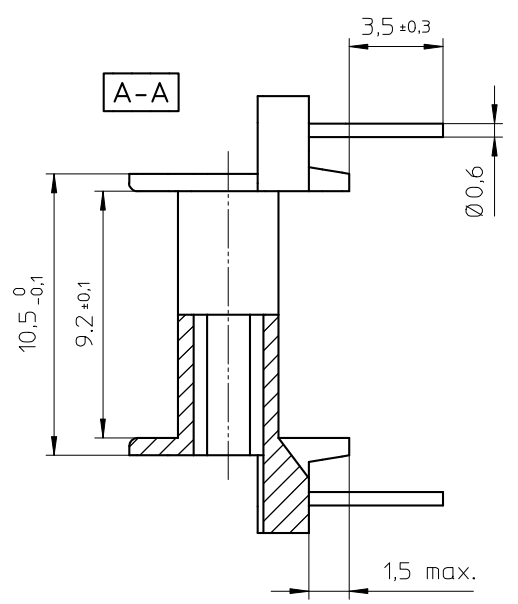
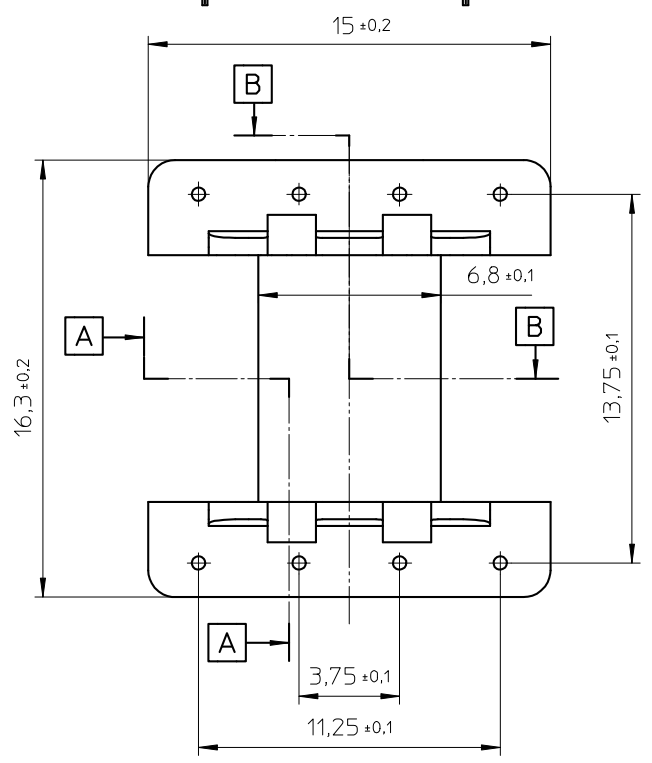
d



e



f



Coil former material: Sumikon PM-9630 (PF), glass-reinforced.
 UL file number: E41429 - UL94V-0.
 Pin material: Copper-plated steel wire, Sn plated.
 Max. operating temp.: acc. to IEC 60085 class H, 180°C.
 Resistance to soldering heat: acc. to IEC 60068-2-20 Part 2, Test Tb, method 1B, 350°C-3.5sec.
 Solderability: acc. to IEC 60068-2-20 Part 2, Test Ta, method 1, 235°C - 2sec.
 Min. winding area: 14,8 mm².
 Mean length of turn: 26,3 mm.

CLASSNO.		CSH-EFD15-1S-8PR-TZ		4322 021 07301		14-12-11
						18-01-12
						14-02-12
NAME NAAM	M.Tryngiel	SUPERS. VERV.		001	SPSH BL	112 - 001
MPA	CHECK CONTR.	DAT.	2011-12-14	Property of Eigendom van	© FERROXCUBE 2000	069
						A3