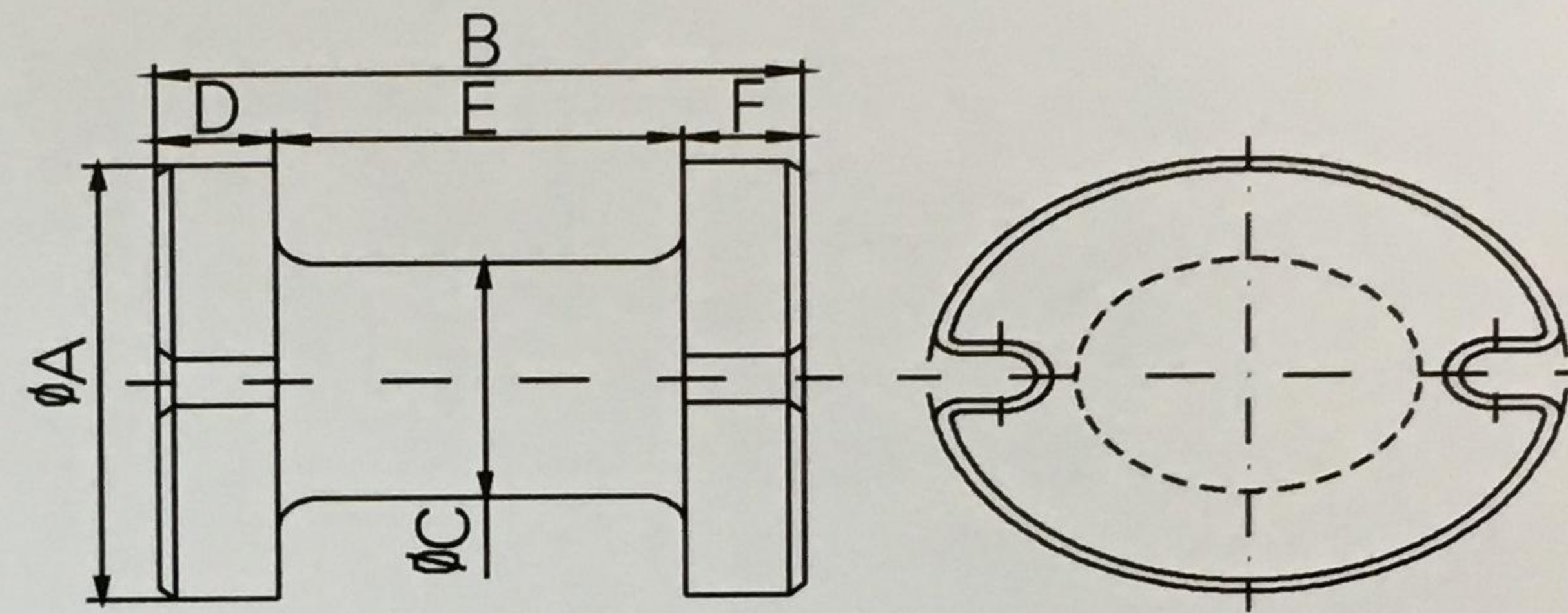
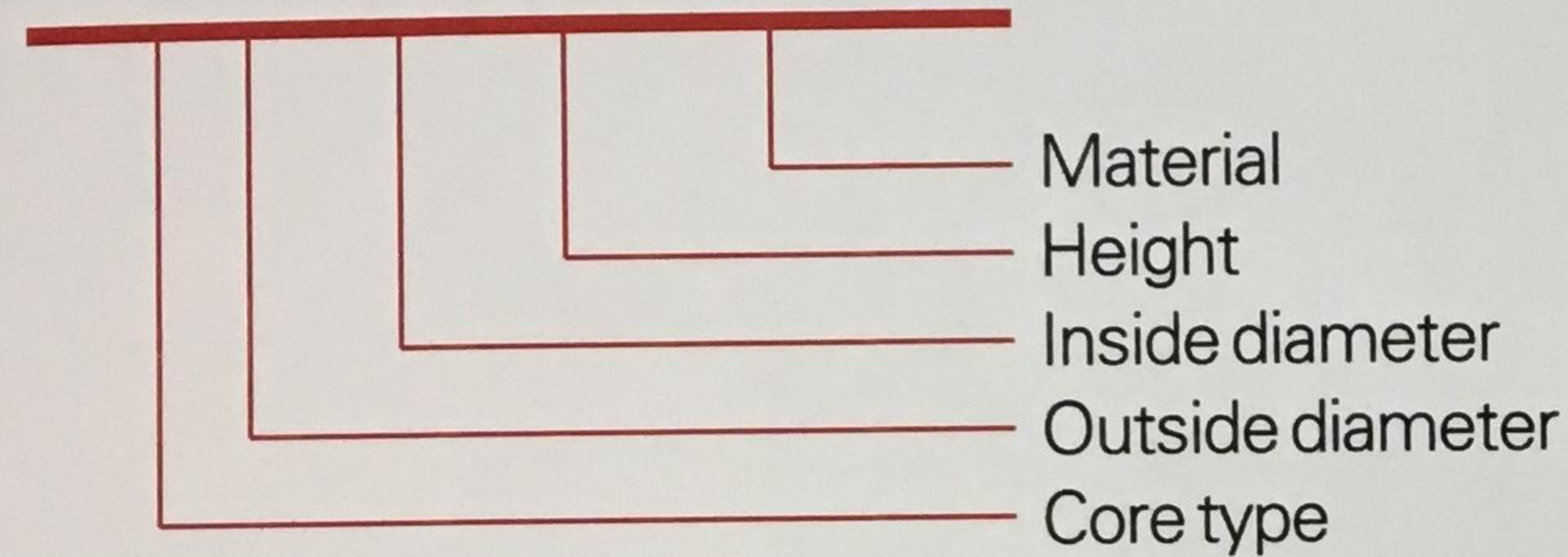


# I Cores ( IG)

## ORDERING CODE SYSTEM

IG4.5 × 2 × 22 DN35H



Material: DN35H DN65H DN80H DN100H DN30B DN40B DN50B

Part number	Dimensions(mm)						weight g
	$\phi A$	B	$\phi C$	D	E	F	
IG4.5×2×2.2	4.5±0.15	2.2±0.15	2.0±0.15	0.5±0.1	1.2±0.15	0.5±0.1	0.1
IG4.5×2.25×3.2	4.5±0.15	3.2±0.15	2.25±0.15	0.6±0.1	2.0±0.15	0.6±0.1	0.14
IG 12×4.8×15	12.0±0.2	15.0±0.3	4.8±0.15	2.5±0.15	10.0±0.15	2.5±0.15	3.8
IG 13×4.35×15.2	13.0±0.15	15.2±0.25	4.35±0.15	2.5±0.2	10.2±0.2	2.5±0.2	4.2
IG 13×6×15	13.0±0.2	15.0±0.3	6.0±0.2	2.5±0.2	10.0±0.2	2.5±0.2	4.8
IG 14×8×20	14.0±0.2	20.0±0.3	8.0±0.2	4.0±0.2	12.0±0.2	4.0±0.2	9.4
IG 14×9×19	14.0±0.2	19.0±0.5	9.0±0.15	2.7±0.15	13.6±0.2	2.7±0.15	8.6
IG 15×7×13	15.0±0.25	13.0±0.3	7.0±0.15	2.2±0.2	8.6±0.3	2.2±0.2	5.7

REMARK: OTHER SIZE ARE AVAILABLE UPON REQUEST