

**133  $\mu$ F / 500 V**
**B32362-C5137-J301**
**CHARACTERISTICS**

Rated Capacitance $C_N$	133 $\mu$ F $\pm$ 5%
Rated Voltage DC $U_{RDC} / U_N$	1200 V
Rated Voltage AC $U_{RAC} / U_{RMS}$ sinusoidal	500 V
Rated Frequency	50 / 60 Hz
Reactive power at 40 °C	22 kvar
Insulation resistance (Ir)	> 1,5G $\Omega$

**MAXIMUM RATINGS**

Max. Fundamental Freq. Current	26 A
Max. Total RMS Current w/ Harmonics	40 A
dv/dt	30 V / $\mu$ s
Transient Inrush Current max.	100 x $I_{RAC}$
Maximum Fault Current as per UL810	10 000 A

**TEST DATA**

Voltage between terminals $U_{TT}$	2,15 x $U_{RAC}$ , 2 s
Voltage terminals - aluminum can $U_{TC}$	3500 Vac, 2 s
Dissipation factor $\tan\delta$ at (50 Hz)	$\leq 6.0 \times 10^{-4}$
Life test: IEC 61071 at Rated Voltage, 32 A sinusoidal,	
Rated Case Temp. (94% survival)	60 000 hours
Max. Cap. Change at 50 °C $ \Delta C/C $	3%

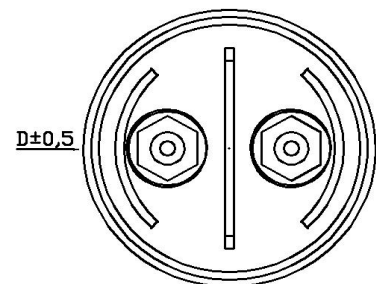
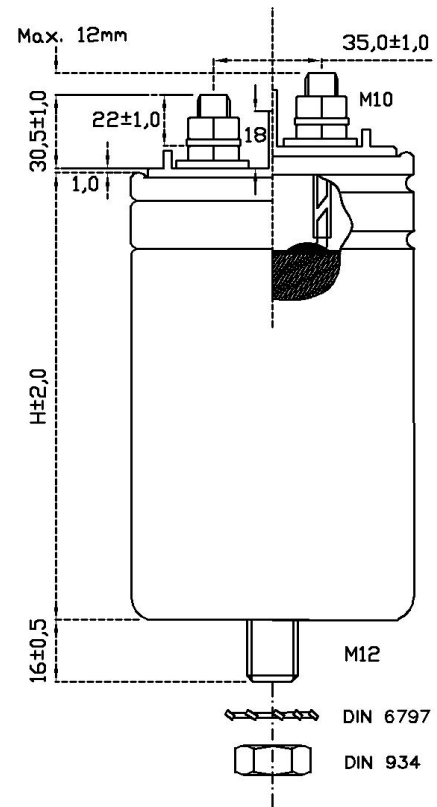
**Climatic category: -40/85/21**

Storage Temperature	$T_{min}$ : -40°C, $T_{max}$ : +75°C
Op. Ambient Temp. with natural cooling	-40°C/+70°C
Permissible max. humidity	95%
Max. permissible altitude	2000 m above sea level
Dielectric Fluid Flash Point	N. A. (no diel. Fluid)

**General Data**

Dimension d x h:	85 X 197 mm
Weight	1.5 kg
Resin filling	Non PCB, Soft Polyurethane
Mounting and grounding	M12 stud
Cooling	Naturally air-cooled (or forced air cooling)
Safety device	Overpressure disconnecter, self-healing technology
Cooling	Naturally air-cooled (or forced air cooling)
Degree of protection	Indoor mounting
Terminals	M10 screws (Torque <sub>MAX</sub> : 10Nm      Torque <sub>NOM</sub> : 8Nm)
Reference standards	IEC 61071

Before safety device operation      After safety device operation



© EPCOS AG 2000. All Rights reserved. Reproduction, publication and dissemination of this data sheet, enclosures hereto and the information contained therein without EPCOS' prior express consent is prohibited.

The information contained in this data sheet describes the type of component and shall not be considered as guaranteed characteristics. Purchase orders are subject to the General Conditions for the Supply of Products and Services of the Electrical and Electronics Industry recommended by the ZVEI (German Electrical and Electronic Manufacturers' Association), unless otherwise agreed.