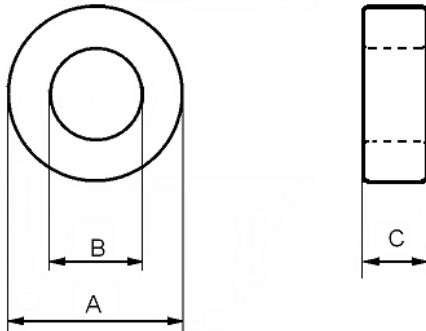




C055076A2

110 Delta Drive
 Pittsburgh, PA 15238
 Phone: 412/696-1333
 Fax: 412/696-0333
 Email:magnetics@spang.com



Permeability (μ)	A_L (nH/T ²)	Nominal DC Resistance (Ohms/mH)	B/NI Gauss per Amp. Turn
60	56 ± 8%	0.0697	8.40 (<1500 gauss)

Dimensions (mm)		
	Uncoated	Coated
O.D. (A)	35.8 nom	36.70 max
I.D. (B)	22.4 nom	21.54 min
Ht. (C)	10.5 nom	11.35 max

Markings		
XXXXXX	55076A2	X
Lot Number	Part Number	Inductance Grade

Physical Characteristics					
W_A (mm ²) Window Area	A_e (mm ²) Cross Section	L_e (mm) Path Length	V_e (mm ³) Volume	Weight (grams)	Box Quantity (pieces)
364	67.8	89.8	6,088	48.7	220

Winding Turn Length (mm)	
Winding Factor	Length/Turn
100% (Unity)	62.2
60%	52.7
40%	43.4
20%	39.3
0%	37.8

Wound Coil Dimensions (mm)	
Maximum O.D. (u.w.f.)*	51.1
Maximum HT. (u.w.f.)*	29.6

*u.w.f. – unity winding factor

Surface Area (mm ²)	
Unwound Core	3,450
40% Winding Factor	5,510

