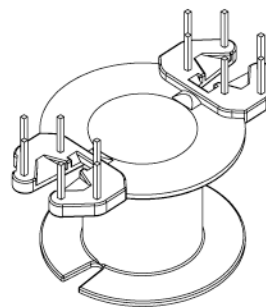
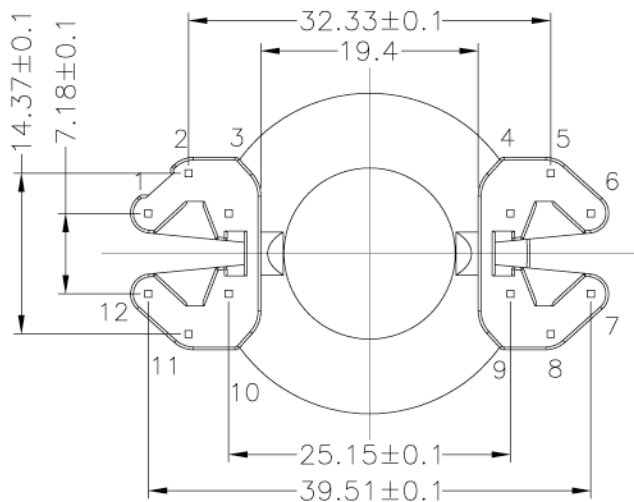
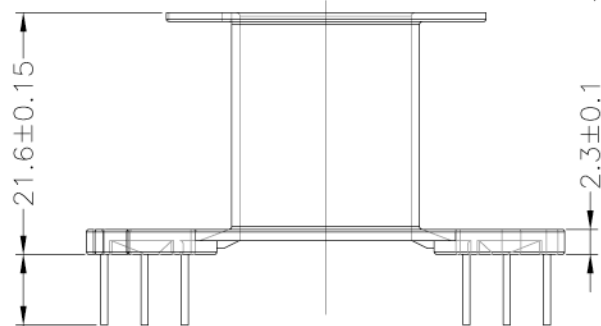
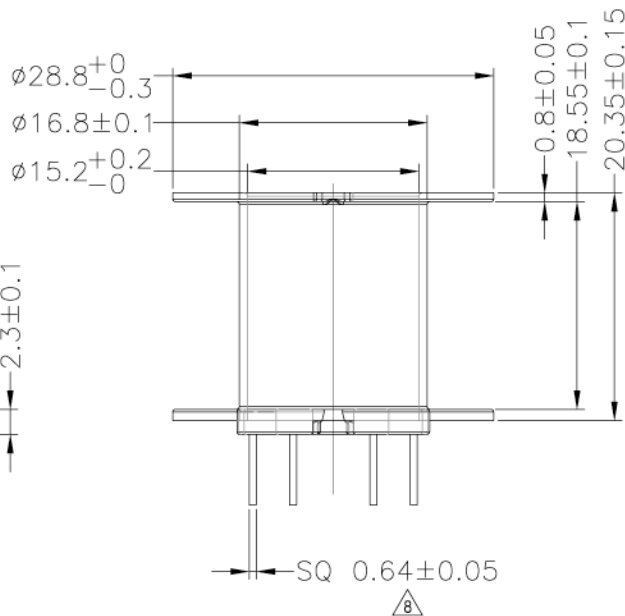
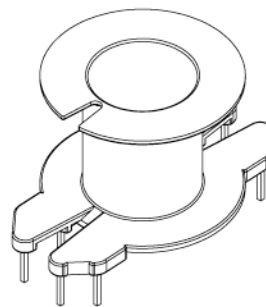
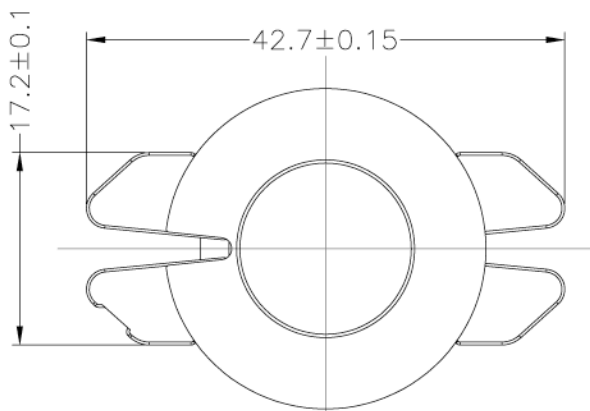


LEPCOS (North-West Laboratory)

http://ferrite.ru Tel/fax +7-812-369-11-54

REVISIONS

REV	SYM	DRAFTER	CHECKER	DATE
△6		T.S.LII	W.H.HSU	02/17/04
△7		T.S.LII	W.H.HSU	07/24/06
△8		T.S.LII	W.H.HSU	01/27/07



DWG NO. Bobbin Rm14 1sec 12pin E-1411

PART NO.	MATERIAL (BOBBIN)	MATERIAL (TERMINAL)	TERMINAL (PLATING)	PIN ALLOCATION	NOTE
E-1411	PM-9630	CP WIRE	Sn	ALL PIN(A)=6.3±0.3	

H

TOLERANCE: .X±0.15 .XX±0.10 .XXX±0.05 UNIT : m/mm SCALE 1.5 : 1

Finish: 1. PB wire Immersion Sn on terminal : Thickness:Sn plating,100,5 μm (200 μ inches) min,Base nickel 0.625 μm (25 μ inches) min.
 2. CP wire Immersion Sn on terminal : Thickness:Sn plating,100,5 μm (200 μ inches) min.
 3. Coplanarity deviation: 0.10 mm (0.004 inches)max.

REV 8