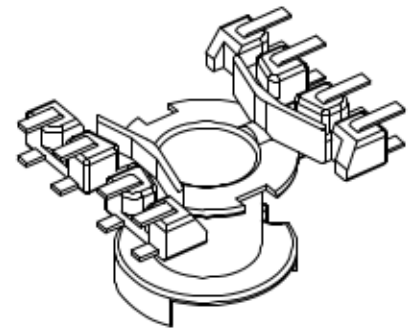
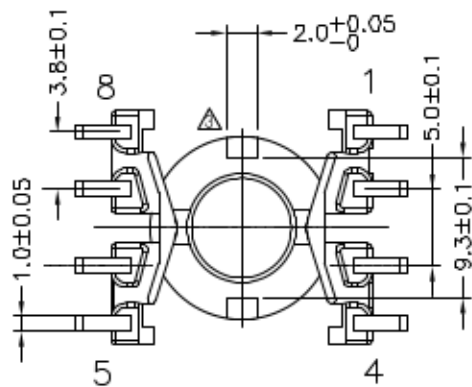
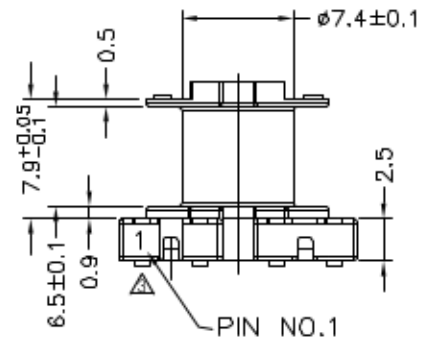
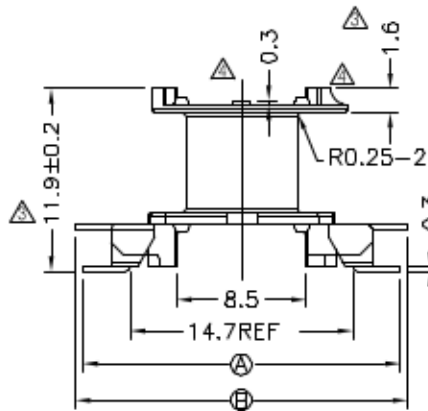
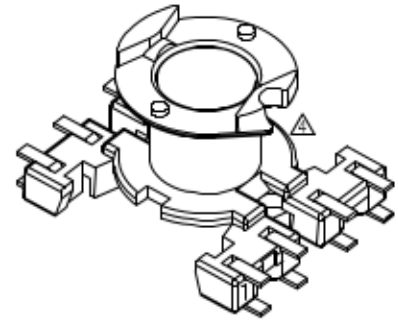
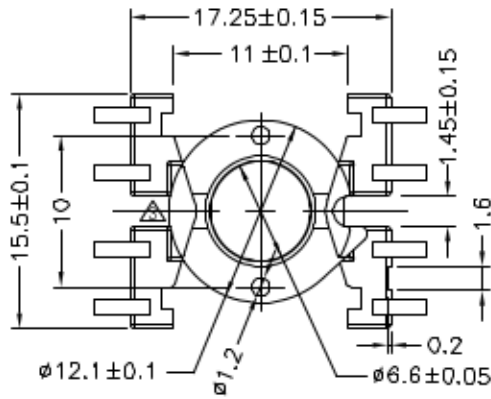


# LEPCOS (NWL)

http://ferrite.ru  
Tel.:+7 (812) 369-11-54

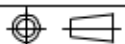
## REVISIONS

REV	SYM	DRAFTER	CHECKER	DATE
5		T.S.LII	W.H.HSU	08/27/02
6		T.S.LII	W.H.HSU	07/11/03
7		T.S.LII	W.H.HSU	07/25/06



DWG NO. RM6-8P-J-3.8-B-1

PART NO.	MATERIAL (BOBBIN)	MATERIAL (TERMINAL)	TERMINAL (PLATING)	PIN ALLOCATION	NOTE
TBI-108-02021.106	PM-9630	CP WIRE	Sn	ALL PIN ⊕ = 18± 0.5 ⊖ = 21± 0.5	
TBI-108-02021.116	PM-9630	CP WIRE	Sn	ALL PIN ⊕ = 21± 0.5 ⊖ = 21± 0.5	



TOLERANCE: .X±0.15 .XX±0.10 .XXX±0.05

UNIT : m/m

SCALE 2 : 1

Finish: 1. Immersion gold on terminal : Thickness gold 0.075 μm (3 μ inches) min, Base nickel 0.625 μm (25 μ inches) min.  
2. Immersion Sn on terminal : Terminal:Sn plating, 100, 5 μm (200 μ inches) min , Base nickel 0.625 μm (25 μ inches) min.  
3. Coplanarity deviation: 0.10 mm (0.004 inches) max.

REV 7