

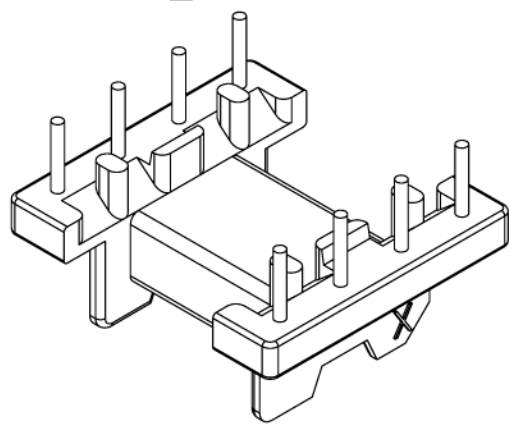
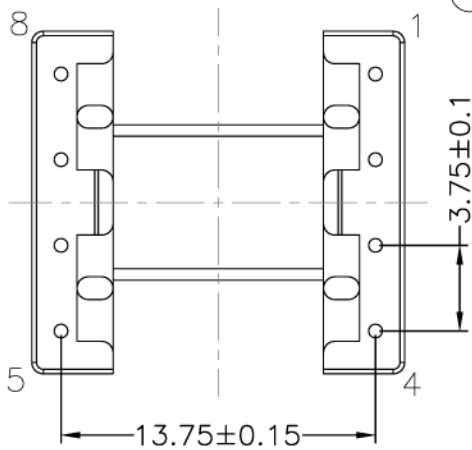
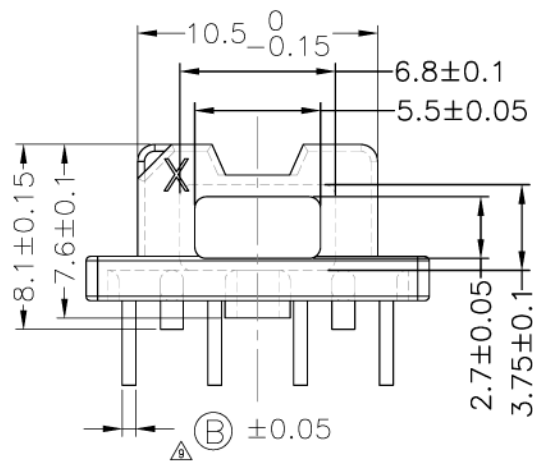
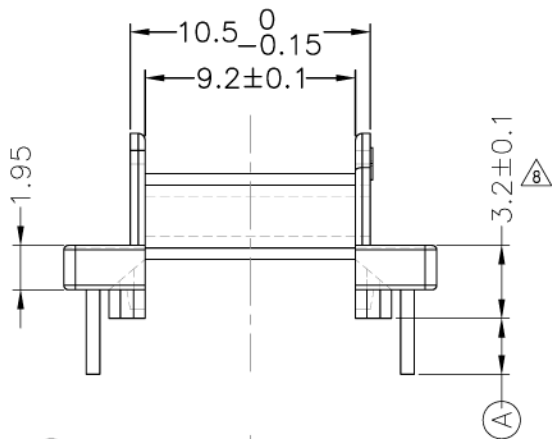
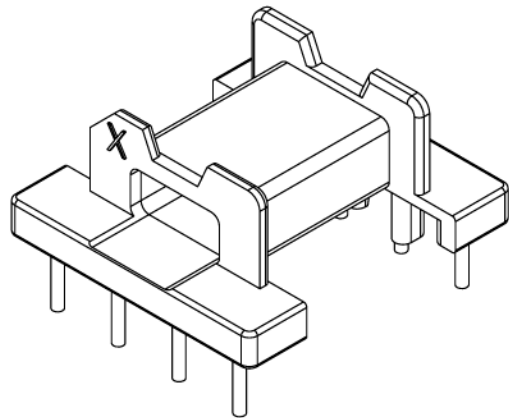
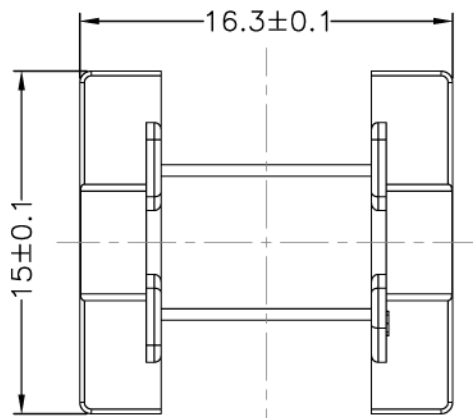
LEPCOS (North-West Laboratory)

http://ferrite.ru Tel/fax +7-812-369-11-54

St-Petersburg, Russia

REVISIONS

REV	SYM	DRAFTER	CHECKER	DATE
1		Y.G.HSU	W.H.HSU	06/01/07
2		YAN.TANG	W.H.HSU	09/01/07
3		YAN.TANG	G.F.YANG	02/22/08



DWG NO. Bobbin EFD15 1 sec 8 pin E-031

PART NO.	MATERIAL (BOBBIN)	MATERIAL (TERMINAL)	TERMINAL (PLATING)	PIN ALLOCATION	NOTE
----------	-------------------	---------------------	--------------------	----------------	------

E-031	PM-9630	C.P WIRE	Sn	ALL PIN (A)=3.5±0.3 (B)=φ0.6	
-------	---------	----------	----	------------------------------	--

TOLERANCE: .X±0.15 .XX±0.10 .XXX±0.05 UNIT : m / m SCALE 3 : 1

Finish: 1. Pb wire Immersion Sn on terminal : Thickness:Sn plating,100,5 μm (200 μ inches) min,Base nickel 0.625 μm (25 μ inches) min.
 2. CP wire Immersion Sn on terminal : Thickness:Sn plating,100,5 μm (200 μ inches) min.
 3. Coplanarity deviation: 0.10 mm (0.004 inches) max.

REV 13