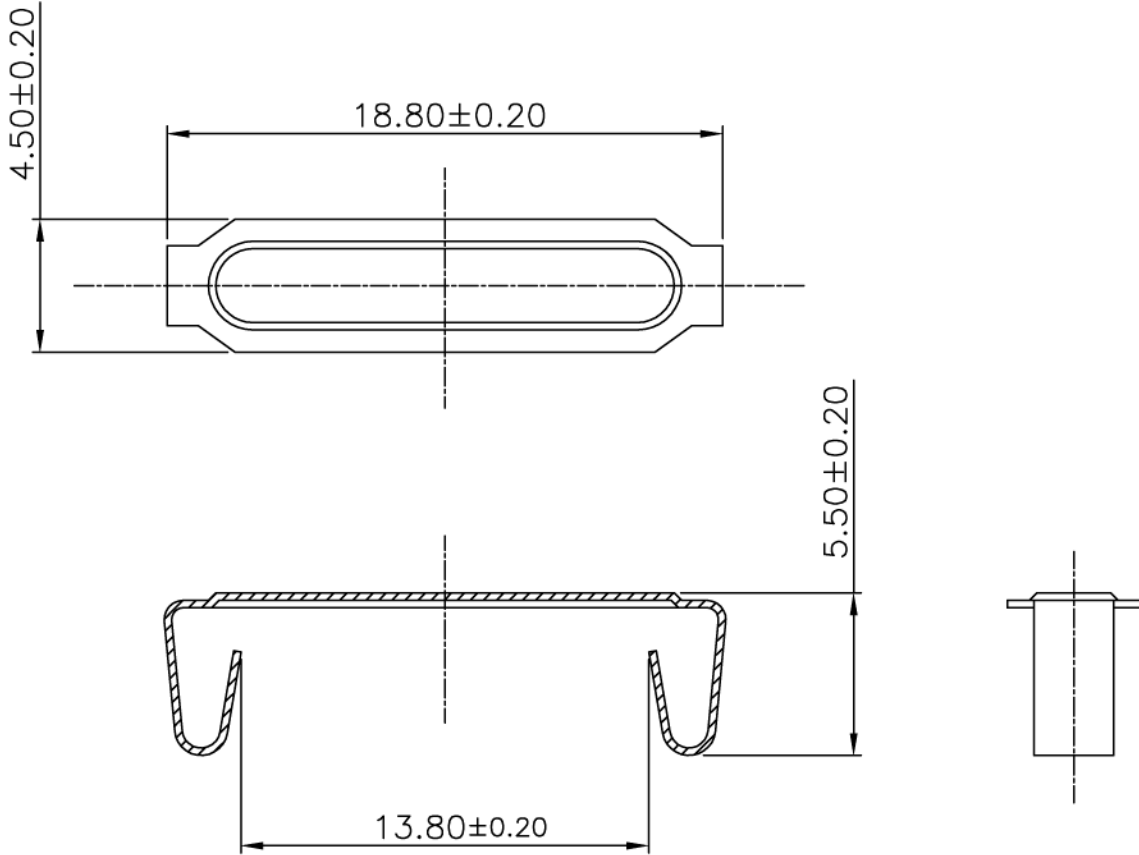


LEPCOS (North-West Laboratory)

http://ferrite.ru Tel/fax +7-812-369-11-54
St-Petesburg, Russia

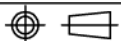
REVISIONS

| REV | SYM | DRAFTER | CHECKER | DATE |
|-----|-----|---------|---------|----------|
| △ | | T.S.Lii | W.H.Hsu | 10/04/05 |
| △ | | | | |
| △ | | | | |



T=0.25

| | | | | | |
|----------|--------------------|---------------------|--------------------|---------------|-------------------|
| PART NO. | Clamp EFD15 E-031C | | | | |
| DWG NO. | MATERIAL (BOBBIN) | MATERIAL (TERMINAL) | TERMINAL (PLATING) | PIN ALOCATION | BUYER 'S PART NO. |
| E-031C | | SUS301 | | | |
| | | | | | |
| | | | | | |
| | | | | | |



TOLERANCE : .X ±0.15 .XX ±0.10 .XXX ±0.05

UNIT : m / m

SCALE 1 : 1

- Finish:
1. Immersion gold on terminal : Thickness gold 0.075 μm (3 μ inches) min, Base nickel 0.625 μm (25 μ inches) min.
 2. Immersion Sn on terminal : Terminal: Sn plating, 100, 5 μm (200 μ inches) min , Base nickel 0.625 μm (25 μ inches) min.
 3. Coplanarity deviation: 0.10 mm (0.004 inches)max.

REV 1