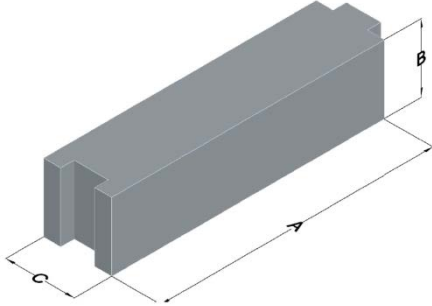




00K133IS026

110 Delta Drive
 Pittsburgh, PA 15238
 NAFTA Sales: (1)800-245-3984
 HK Sales : (852)3102-9337
 magnetics@spang.com
 www.mag-inc.com



Kool M μ Permeability (μ)	Core Marking	
	Lot Number	Part number
26	XXXXXX	K133IS026

	Dimensions				Packaging
	(mm)	(in)	(mm)	(in)	
A	76.20	3.00	Nom.	Nom.	Cardboard cut-outs Box Qty= 54
B	25.4	1.000	Nom.	Nom.	
C	27.2	1.071	Nom.	Nom.	

Physical Characteristics		Temperature Rating	Note:
Volume V _e (mm ³)	Weight (g)	Curie Temp: 500°C	
51,000	315		