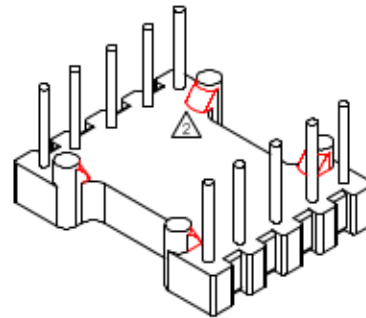
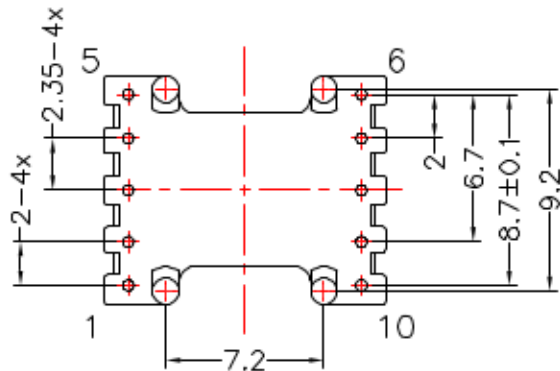
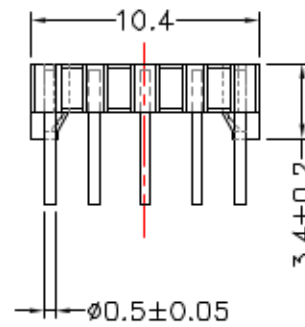
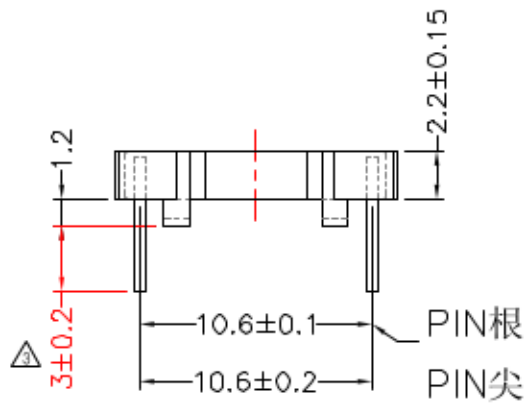
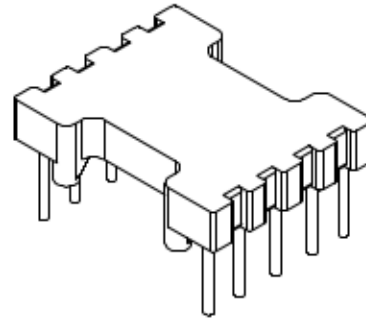
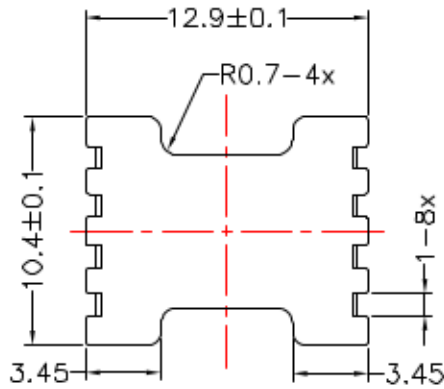


LEPCOS (North-West Laboratory)

http://ferrite.ru Tel/fax +7-812-369-11-54
St-Petersburg, Russia

REVISIONS

REV	SYM	DRAFTER	CHECKER	DATE
△		YAN.TANG	G.F.YANG	11/23/07
△		YAN.TANG	G.F.YANG	03/19/10
△		YAN.TANG	G.F.YANG	10/21/10



DWG NO. B13X11-10P-TH-2.0-C-12

PART NO.	MATERIAL (BOBBIN)	MATERIAL (TERMINAL)	TERMINAL (PLATING)	PIN ALLOCATION	NOTE
TBI-220-11031.1206	PM-9820	CP WIRE	Sn	ALL PIN	S
TOLERANCE: .X±0.15 .XX±0.10 .XXX±0.05				UNIT : m / m	SCALE 3 : 1

Finish: 1. PB wire Immersion Sn on terminal : Thickness:Sn plating,100,5 μm (200 μ inches) min,Base nickel 0.625 μm (25 μ inches) min.
2. CP wire Immersion Sn on terminal : Thickness:Sn plating,100,5 μm (200 μ inches) min.
3. Coplanarity deviation: 0.10 mm (0.004 inches)max.

REV 3