

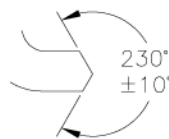
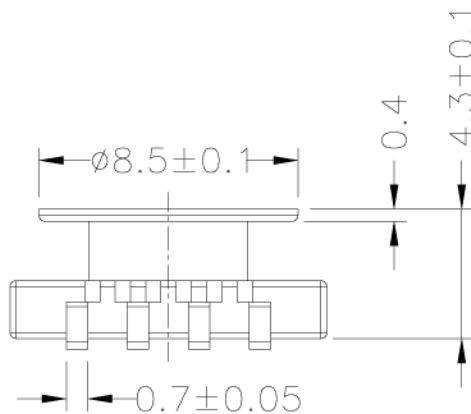
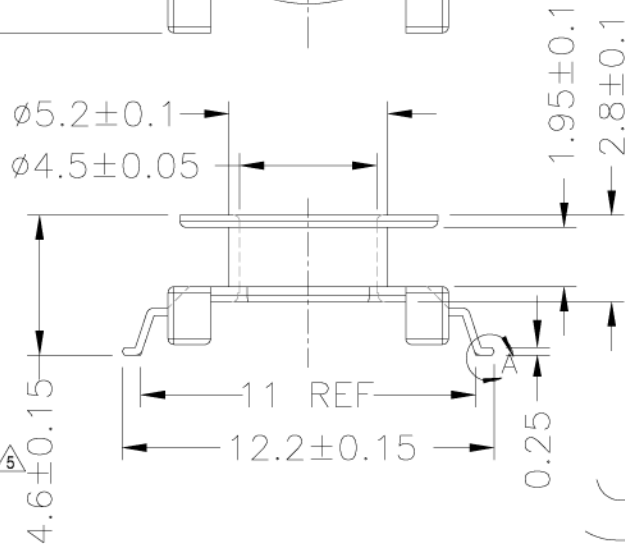
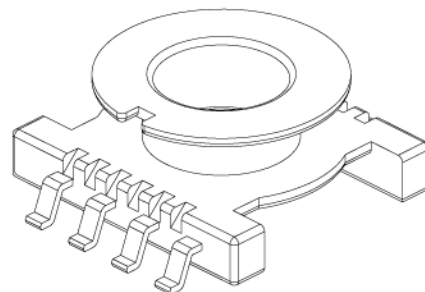
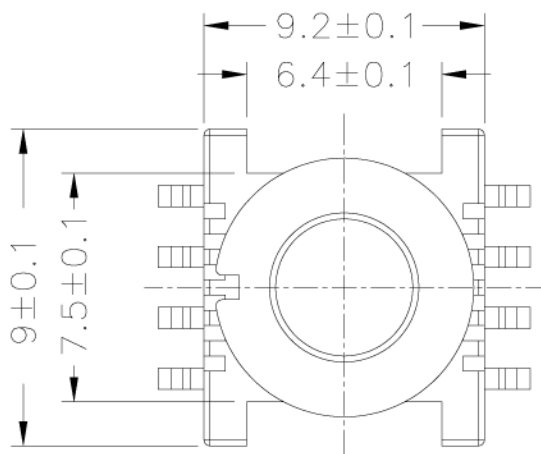
LEPCOS (North-West Laboratory)

http://ferrite.ru Tel/fax +7-812-369-11-54

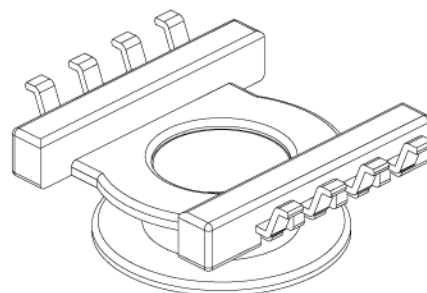
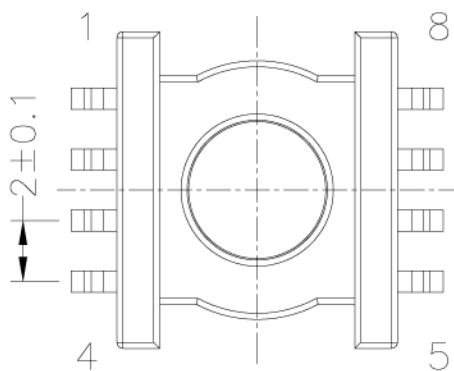
St-Petersburg, Russia

REVISIONS

| REV | SYM | DRAFTER | CHECKER | DATE |
|-----|-----|---------|---------|----------|
| 3 | | T.S.LII | W.H.HSU | 11/22/05 |
| 4 | | T.S.LII | W.H.HSU | 07/24/06 |
| 5 | | Y.G.HSU | W.H.HSU | 04/14/07 |



DETAIL:A
PATENTED



DWG NO. ER11/5 1sec 8 pin E-009-1

| PART NO. | MATERIAL (BOBBIN) | MATERIAL (TERMINAL) | TERMINAL (PLATING) | PIN ALLOCATION | NOTE |
|----------|-------------------|---------------------|--------------------|----------------|------|
| E-009-1 | PM-9630 | P.B | Sn | ALL PIN | |

| | | | | | |
|--|--|--|--|--|--|
| | | | | | |
| | | | | | |
| | | | | | |
| | | | | | |

TOLERANCE: .X±0.15 .XX±0.10 .XXX±0.05 UNIT : m / m SCALE 4 : 1

Finish: 1. Pb wire Immersion Sn on terminal : Thickness:Sn plating,100,5 μm (200 μ inches) min,Base nickel 0.625 μm (25 μ inches) min.
2. CP wire Immersion Sn on terminal : Thickness:Sn plating,100,5 μm (200 μ inches) min.
3. Coplanarity deviation: 0.10 mm (0.004 inches) max.

REV 5