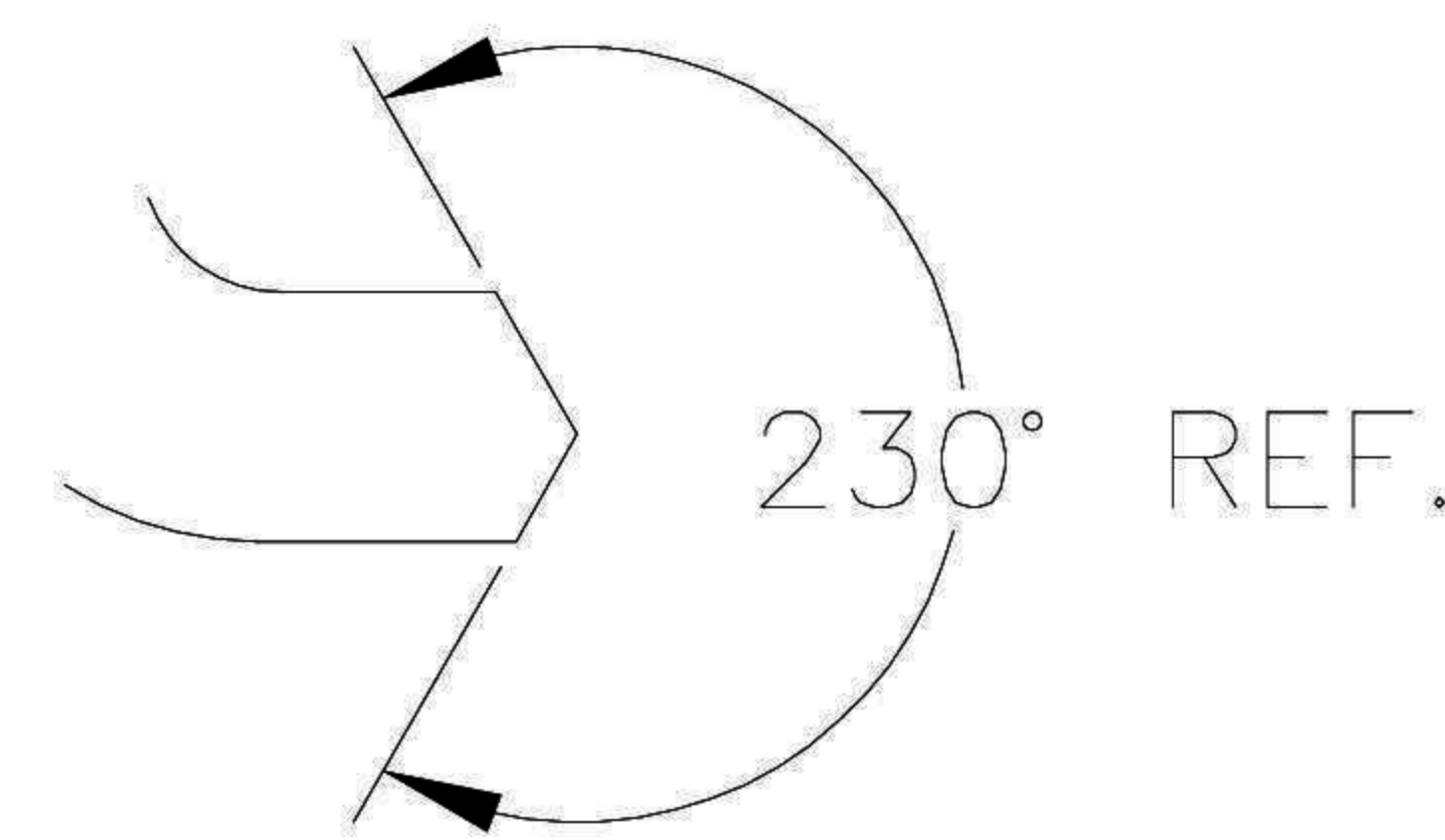
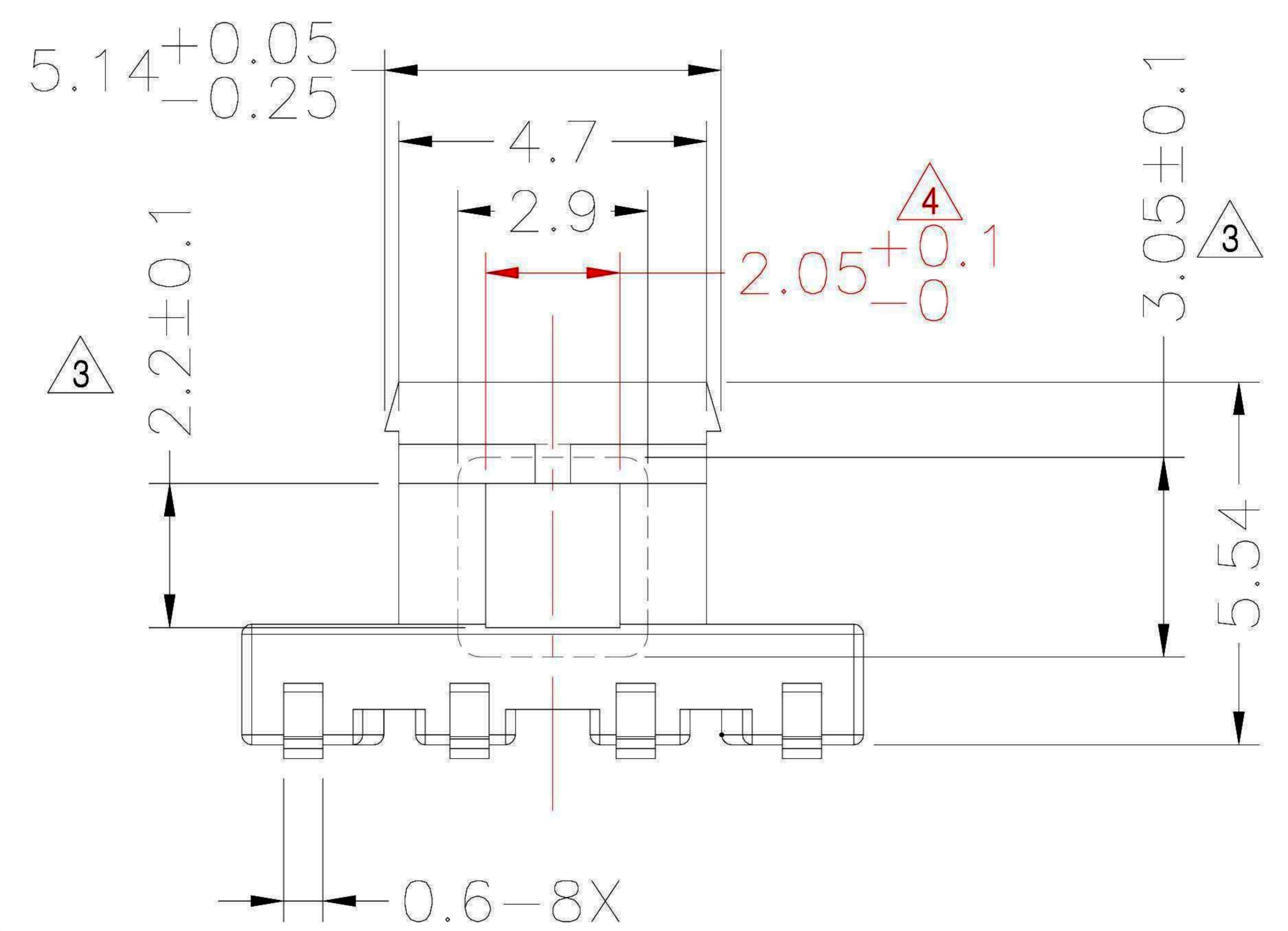
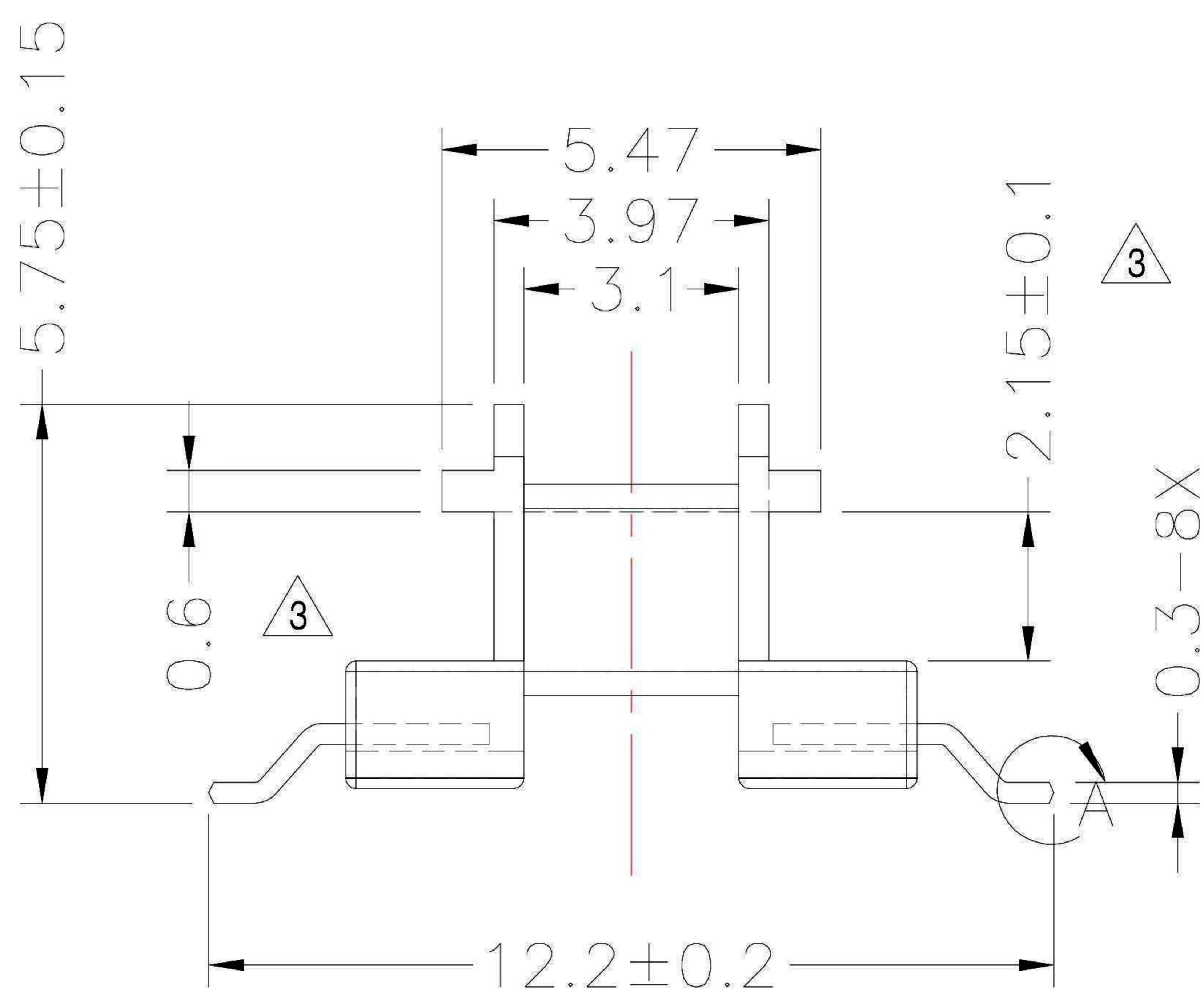
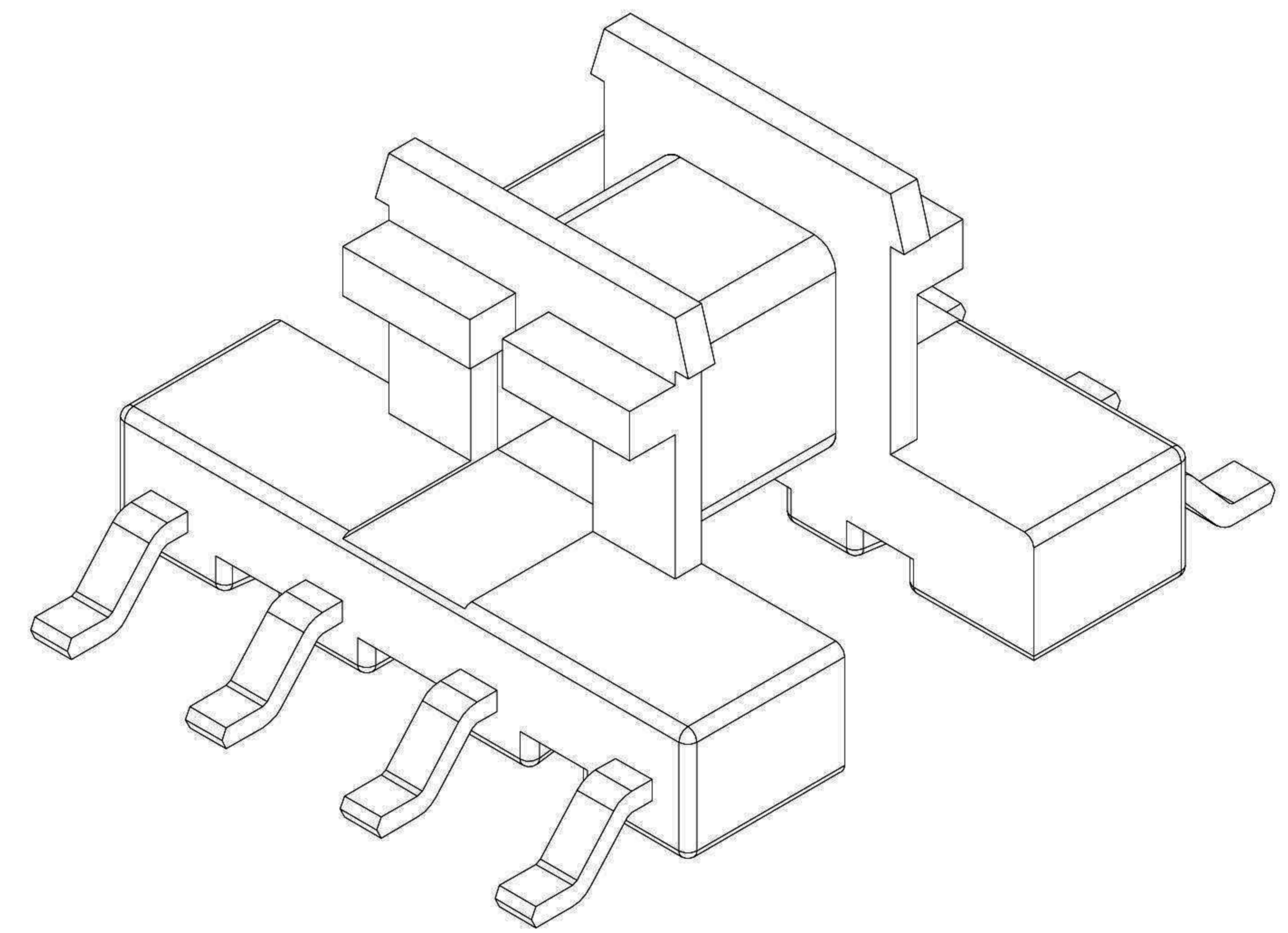
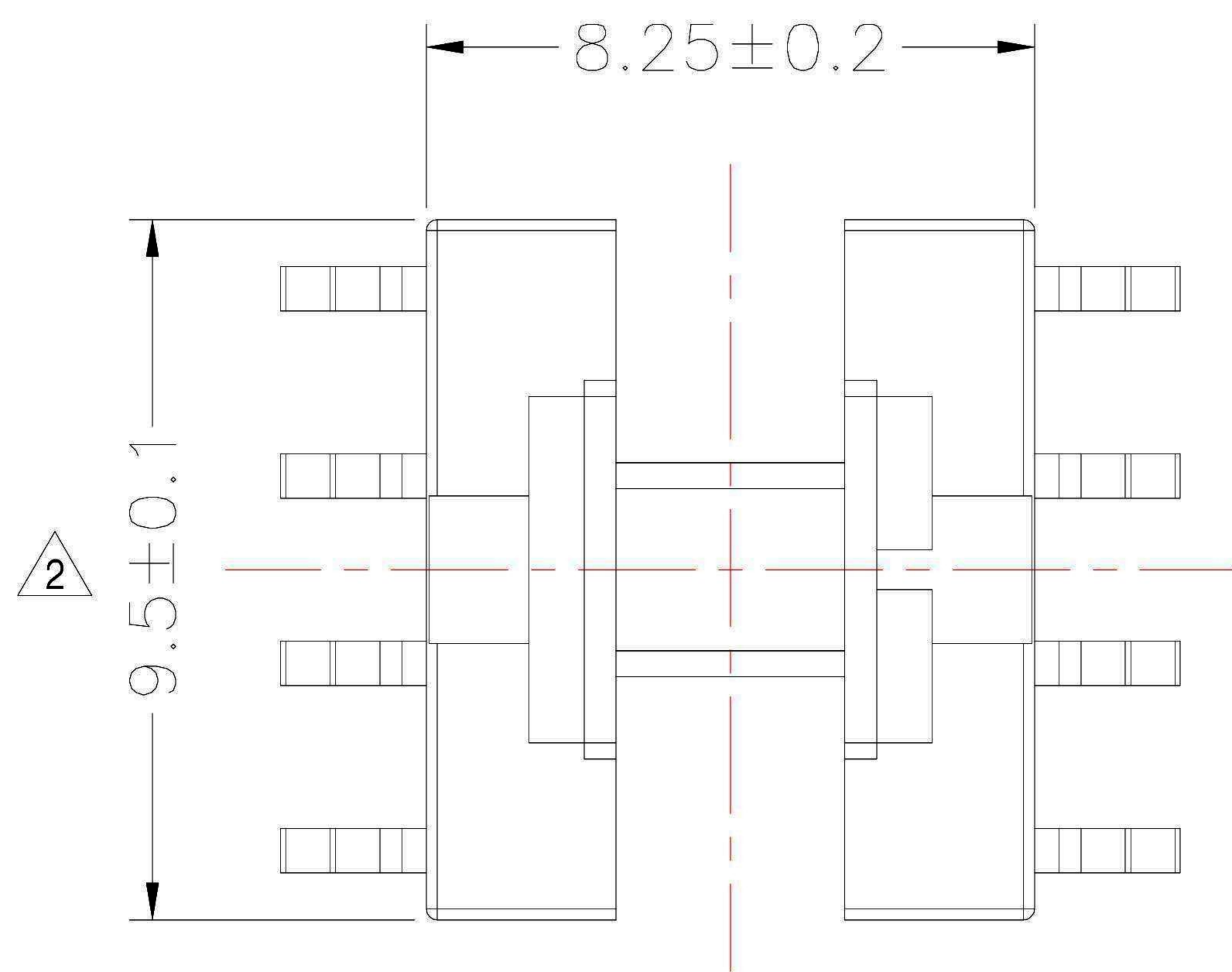
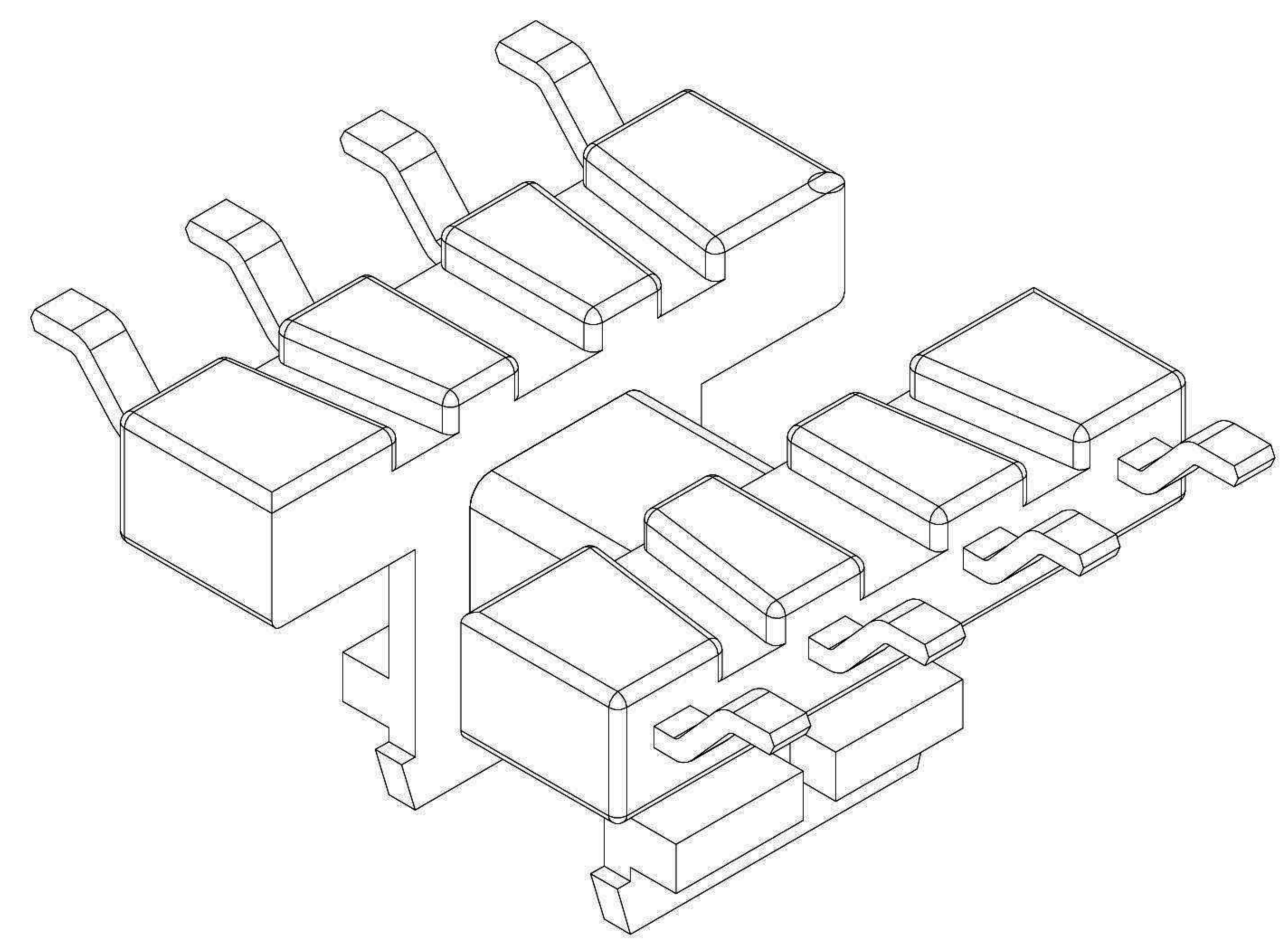
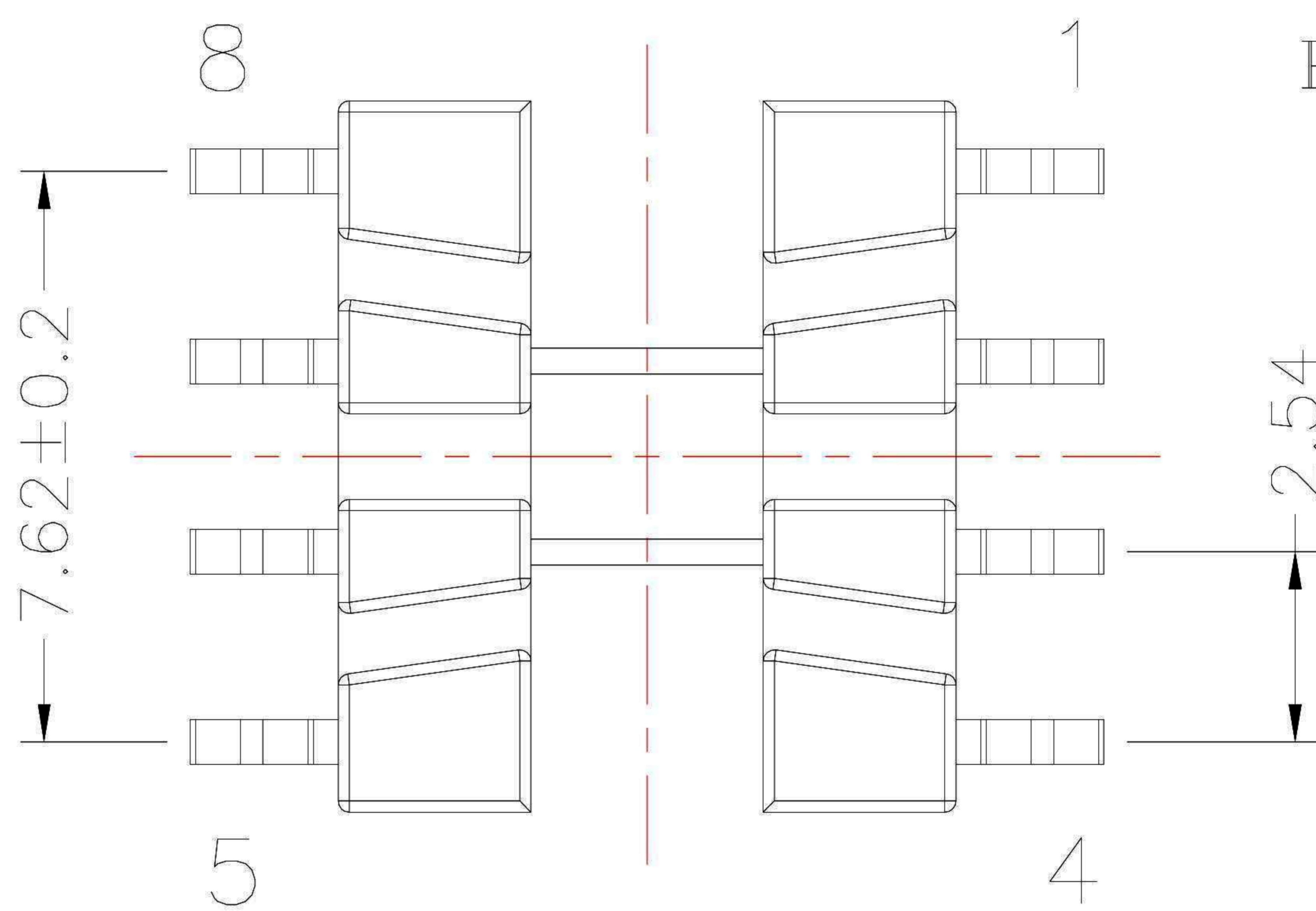


LEPCOS (North-West Laboratory)
 www.ferrite.ru Tel/Fax +7-812-369-11-54
 St-Petersburg, Russia

REVISIONS				
REV	SYM	DRAFTER	CHECKER	DATE
△2		G.F.YANG	W.H.HSU	03/09/10
△3		X.H.GU	G.F.YANG	08/30/11
△4		G.F.YANG	W.H.HSU	01/13/12



DETAIL:A
 PATENTED



DWG NO. EE8.8-8P-GW-2.54-0H-1

PART NO.	MATERIAL (BOBBIN)	MATERIAL (TERMINAL)	TERMINAL (PLATING)	PIN ALLOCATION	NOTE
----------	-------------------	---------------------	--------------------	----------------	------

TBI-101-03081.103	PM-9630	PB	Sn	ALL PIN	H
-------------------	---------	----	----	---------	---

TOLERANCE: .X±0.15 .XX±0.10 .XXX±0.05 UNIT : m/m SCALE 4 : 1

Finish: 1. PB wire Immersion Sn on terminal : Thickness:Sn plating,100,5 μm (200 μ inches) min,Base nickel 0.625 μm (25 μ inches) min.
 2. CP wire Immersion Sn on terminal : Thickness:Sn plating,100,5 μm (200 μ inches) min.
 3. Coplanarity deviation: 0.10 mm (0.004 inches) max.

REV 4