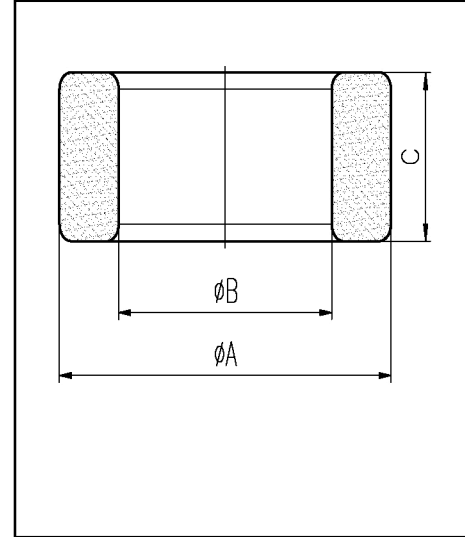


CORE SETS

Effective core parameters

SYMBOL	PARAMETER	VALUE	UNIT
$\Sigma (1/A)$	core factor (C_1)	3.57	mm^{-1}
V_e	effective volume	8.57	mm^3
l_e	effective length	5.53	mm
A_e	effective area	1.55	mm^2
W_t	mass of core	≈ 0.05	g



尺寸 Coat	A	B	C
Uncoat	2.54 ± 0.17	1.27 ± 0.17	1.27 ± 0.17
Coated	2.54 ± 0.17	1.27 ± 0.17	1.27 ± 0.17

Note: With parylene coating

Characteristic

GRADE	$AL (\text{nH}/\text{N}^2)$	μi
	$f=10\text{kHz}$ $U=0.25\text{V}$	$f=10\text{kHz}$ $U=0.25\text{V}$
R5K	$850 \pm 25\%$	≈ 5000
R10K	$1760 \pm 30\%$	≈ 10000
R12K	≥ 1300	≈ 12000
R15K	≥ 2650	≈ 15000