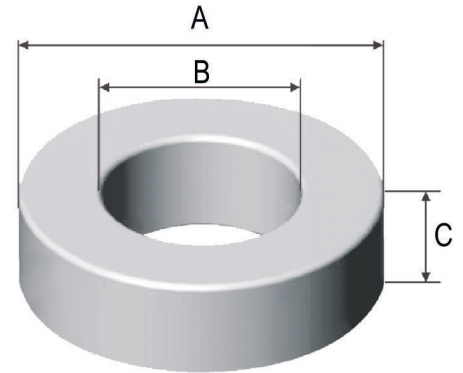


CORE SETS

Effective core parameters

SYMBOL	PARAMETER	VALUE	UNIT
Ve	effective volume	238	mm ³
le	effective length	23.8	mm
Ae	effective area	100	mm ²



Coat	A	B	C
Uncoat	10.2 ^{+0.63} _{-0.1}	5.08 ^{+0.1} _{-0.51}	3.96 ^{+0.64} _{-0.15}
Coated	10.8 max	4.57 max	4.57 max

Note: With grey epoxy coating

Part No.							Perm.	AL
Sendust	High Flux	MPP	Ma-Flux	Multi-Alloy			μ	nH/N ²
				DSH	DNH	DSG		
DS102026	-	-	-	-	-	-	26	14
DS102060	DH102060	DM102060	-	-	-	-	60	32
DS102075	-	-	-	-	-	-	75	40
DS102090	-	-	-	-	-	-	90	48
DS102125	DH102125	DM102125	-	-	-	-	125	66