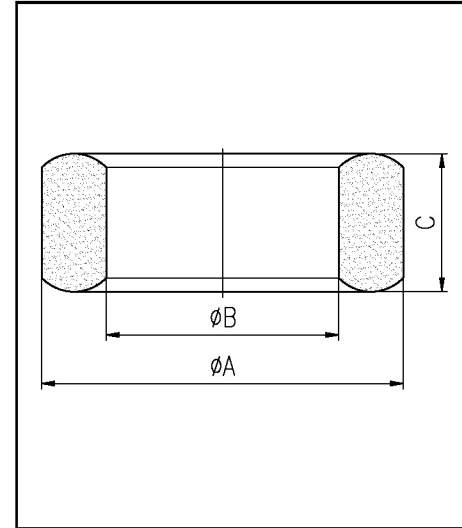


## H 4 x 2.4 x 1.6

### CORE SETS

#### Effective core parameters

SYMBOL	PARAMETER	VALUE	UNIT
$\Sigma (1/A)$	core factor ( $C_1$ )	7.70	$\text{mm}^{-1}$
$V_e$	effective volume	12.03	$\text{mm}^3$
$l_e$	effective length	9.62	mm
$A_e$	effective area	1.25	$\text{mm}^2$
$W_t$	mass of core	$\approx 0.06$	g



尺寸 Coat	A	B	C
Uncoat	$4.0 \pm 0.12$	$2.4 \pm 0.12$	$1.6 \pm 0.12$
Coated	$4.0 \pm 0.12$	$2.4 \pm 0.12$	$1.6 \pm 0.12$

Note: With parylene coating

### Characteristic

GRADE	AL ( $\text{nH}/\text{N}^2$ )	B (mT)	CORE LOSS (W)
	f=10kHz U=0.25V	H=250A/m f=25kHz T=100°C	f=100kHz B=200mT T=100°C
DMR40	$375 \pm 25\%$	—	—
DMR44	$390 \pm 25\%$	—	—
DMR70	$357 \pm 25\%$	—	—