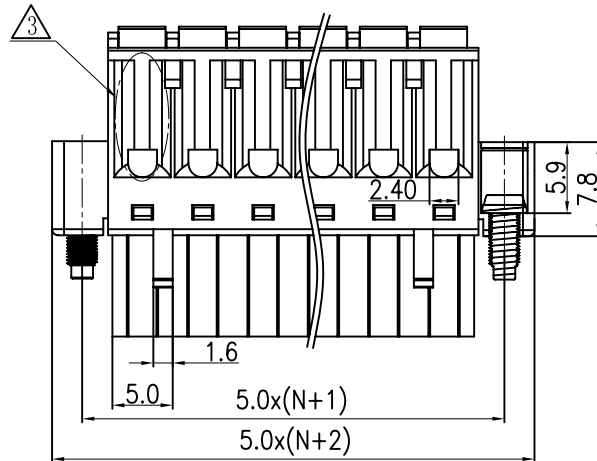
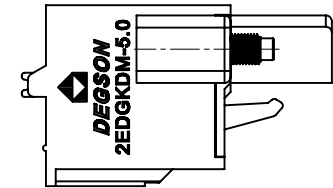
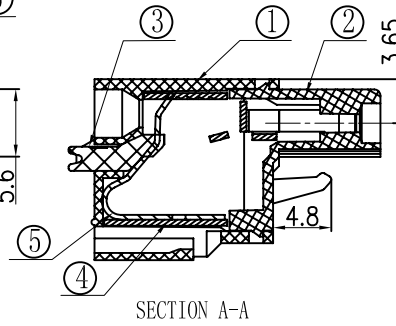
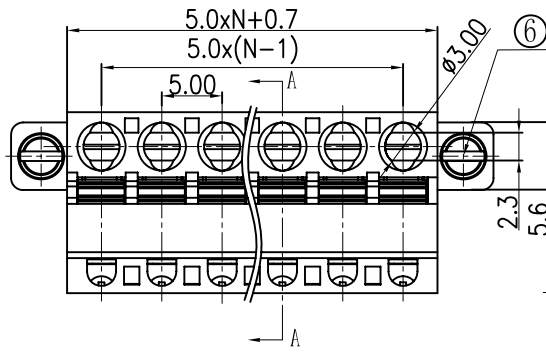
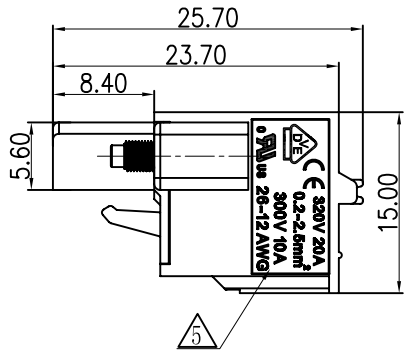
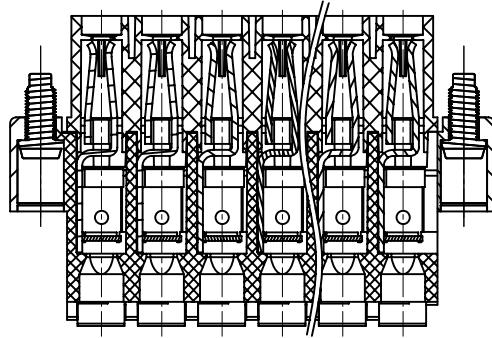


REVISION RECORD				
REV	ECN	DESCRIPTION	DRFT	DATE
△		图面整理	Apple	04/07/08*
△		增加UL刻字	Zengy	12/14/09*
△	10-027	修改外型	Golden	08/20/10*
△	10-0032	牌号由X000001320变更为X000004810	Apple	09/30/10*
△	10-0377	增加VDE刻字及参数	ZXX	11/12/10*



Notes:

- Pitch: 5.0mm, Poles: 2-22P
- Rated voltage/current: UL 300V/10A  
VDE 320V/20A △
- Operation temperatures: -40°C ~ +105°C
- Withstanding Voltage: AC2500V/1min
- Insulation Resistance: 5000MΩ/DC1000V
- Wire Range: 26~12AWG, 0.2~2.5mm² △
- Undimensioned Tolerances:

Pitch range in mm		Nominal dimension range in mm					
	over 6	over 10	over 30	over 60	over 100	over 150	—
to	to 10	to 24	to 30	to 60	to 100	to 150	∩
±0.10	±0.15	±0.25	±0.2	±0.3	±0.5	±0.7	±1.0 0.05/10

6	2EDGK Screw-M2.5	S000001370(H)	2	Steel	Cr <sup>3+</sup> Zn
5	2EDGKDF-5.08-Spring	△4 X000004810(H)	XX	Stainless steel	
4	2EDGKD-5.08-Clamp	1085B00010(H)	XX	Phosphor bronze	SnCe
3	2EDGKD-5.08-Button	1085D0501A(H)	XX	PA66	UL94V-0
2	2EDGKD-5.0-Cover	1055C0YXXA(H)	1	PA66	UL94V-0

1	2EDGKDM-5.0-Housing	1111A0YXXA(H)	1	PA66	UL94V-0
ITEM	NAME OF PART	NO. OF PART	Q'TY	MATERIAL	NOTES
DETACHED LISTS	← MM (INCH) →	DFTO Apple	DATE 10/20/06*	宁波高正电子有限公司 DEGSON ELECTRONICS CO., LTD NAME: 2EDGKDM-5.0-XXP-1Y-00A(H) DRAWING NO. 2EDGKDM-5.0-E01 /PART NO. SIZE A3 REV T5 11/12/10* DO NOT SCALE DRAWING SHEET 1 OF 1	
	TOLERANCES EXCEPT AS NOTED	CHKD	DATE		
	MM	MFO	DATE		
	.0 ±	APPVL	DATE		
	MATERIAL :	G.E :			
	ANGLES ± 1°	FINISH :			
	THIRD ANGLE PROJECTION	SCALE : 1:1			