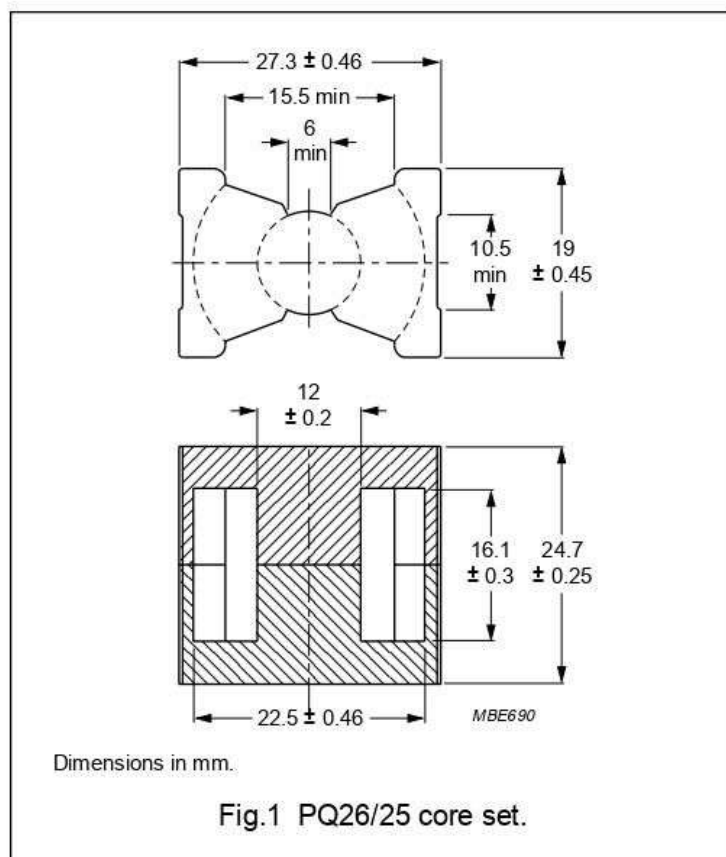


CORE SETS

Effective core parameters

SYMBOL	PARAMETER	VALUE	UNIT
$\Sigma (l/A)$	core factor (C1)	0.451	mm ⁻¹
V_e	effective volume	6530	mm ³
l_e	effective length	54.3	mm
A_e	effective area	120	mm ²
A_{min}	minimum area	108	mm ²
m	mass of set	≈32	g



Core sets for general purpose transformers and power applications

Clamping force 60 ± 15 N.

GRADE	A_L (nH)	μ_e	AIR GAP (μ m)	TYPE NUMBER
3C81	250 $\pm 3\%$	≈90	≈701	PQ26/25-3C81-E250
	315 $\pm 3\%$	≈113	≈533	PQ26/25-3C81-A315
	400 $\pm 3\%$	≈143	≈401	PQ26/25-3C81-A400
	630 $\pm 3\%$	≈226	≈234	PQ26/25-3C81-A630
	1000 $\pm 5\%$	≈359	≈132	PQ26/25-3C81-A1000
	6010 $\pm 25\%$	≈2160	≈0	PQ26/25-3C81
3C85	250 $\pm 3\%$	≈90	≈701	PQ26/25-3C85-E250
	315 $\pm 3\%$	≈113	≈533	PQ26/25-3C85-A315
	400 $\pm 3\%$	≈143	≈401	PQ26/25-3C85-A400
	630 $\pm 3\%$	≈226	≈234	PQ26/25-3C85-A630
	1000 $\pm 5\%$	≈359	≈132	PQ26/25-3C85-A1000
	4700 $\pm 25\%$	≈1690	≈0	PQ26/25-3C85
3F3	250 $\pm 3\%$	≈90	≈701	PQ26/25-3F3-E250
	315 $\pm 3\%$	≈113	≈533	PQ26/25-3F3-A315
	400 $\pm 3\%$	≈143	≈401	PQ26/25-3F3-A400
	630 $\pm 3\%$	≈226	≈234	PQ26/25-3F3-A630
	1000 $\pm 5\%$	≈359	≈132	PQ26/25-3F3-A1000
	4390 $\pm 25\%$	≈1574	≈0	PQ26/25-3F3

PQ cores and accessories

PQ26/25

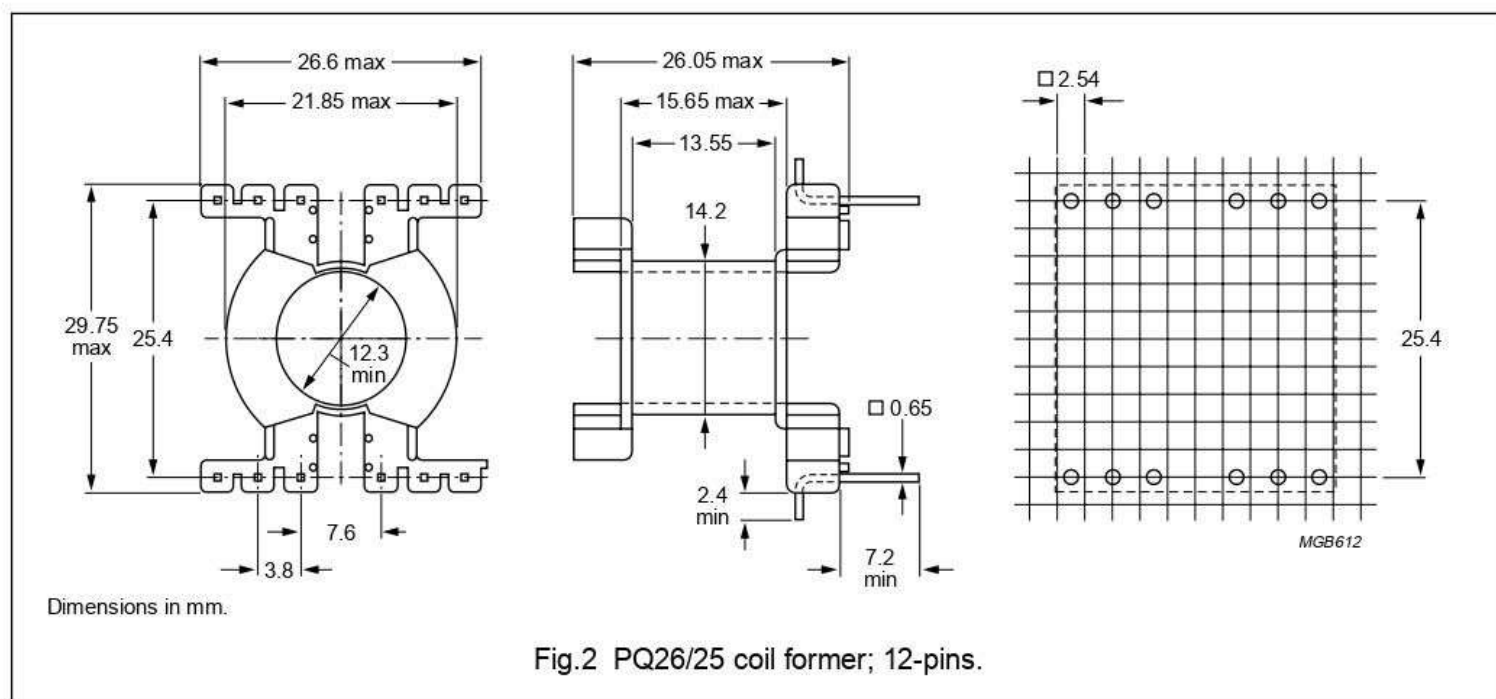
Properties of core sets under power conditions

GRADE	B (mT) at	CORE LOSS (W) at		
	H = 250 A/m; f = 25 kHz; T = 100 °C	f = 25 kHz; \hat{B} = 200 mT; T = 100 °C	f = 100 kHz; \hat{B} = 100 mT; T = 100 °C	f = 400 kHz; \hat{B} = 50 mT; T = 100 °C
3C81	≥320	≤1.3	-	-
3C85	≥320	≤1.0	≤1.2	-
3F3	≥320	-	≤0.72	≤1.2

COIL FORMER

General data 12-pins PQ26/25 coil former

PARAMETER	SPECIFICATION
Coil former material	thermoplastic polyester, glass-reinforced, flame retardant in accordance with "UL 94V-0"; UL file number E69578(M)
Pin material	copper-tin alloy (CuSn), tin-lead alloy (SnPb) plated
Maximum operating temperature	180 °C, "IEC 85" class H
Resistance to soldering heat	"IEC 68-2-20", Part 2, Test Tb, method 1B, 350 °C, 3.5 s
Solderability	"IEC 68-2-20", Part 2, Test Ta, method 1



Winding data for 12-pins PQ26/25 coil former

NUMBER OF SECTIONS	MINIMUM WINDING AREA (mm ²)	NOMINAL WINDING WIDTH (mm)	AVERAGE LENGTH OF TURN (mm)	TYPE NUMBER
1	47.5	13.6	56.4	CPV-PQ26/25-1S-12P
1	47.5	13.6	56.4	CPV-PQ26/25-1S-12PD