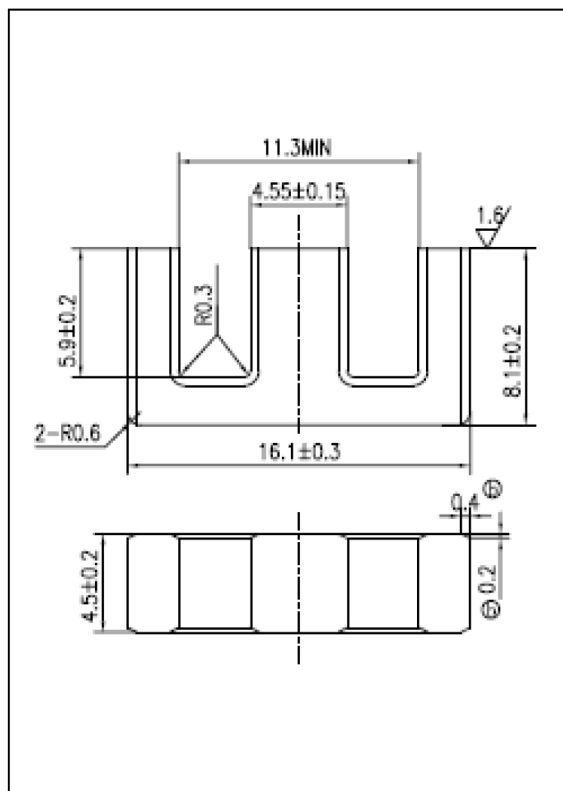


CORE SETS

Effective core parameters

SYMBOL	PARAMETER	VALUE	UNIT
$\Sigma (1/A)$	core factor (C_1)	1.87	mm^{-1}
V_e	effective volume	755.76	mm^3
l_e	effective length	37.60	mm
A_e	effective area	20.10	mm^2
A_{min}	minimum area	19.92	mm^2
W_t	mass of core set	≈ 3.9	g



Characteristic

GRADE	AL (nH/N^2)	B (mT)	CORE LOSS (W)	
	f=10kHz U=0.25V	H=250A/m f=25kHz T=100°C	f=100kHz B=200mT T=100°C	
DMR40	1100 ± 25%	≥ 250	≤ 0.57	
DMR44	1100 ± 25%	≥ 250	≤ 0.43	
DMR90	1050 ± 25%	≥ 300	≤ 0.61	

GRADE	AL (nH/N^2)	B (mT)	CORE LOSS (W)	
	f=10kHz U=0.25V	H=250A/m f=25kHz T=100°C	f=500kHz B=50mT T=100°C	f=3MHz B=10mT T=100°C
DMR55	950 ± 25%	≥ 270	≤ 0.25	—

GRADE	AL (nH/N^2)	μ_i
	f=10kHz U=0.25V	f=10kHz U=0.25V
R4K	1400 ± 25%	≈ 4300
R5K	1900 ± 25%	≈ 5000
R7K	2500 ± 25%	≈ 7000
R10K	3450 ± 30%	≈ 10000