

LP SERIES ▪ ECONOMY, STANDARD SIZE 85°C TYPE

KEY FEATURES



- ALUMINUM ELECTROLYTIC CAPACITOR ▪ Snap-In type
- Endurance: 85°C ▪ 2000 hours, Useful life: 85°C ▪ ≥ 3000 hours
- Wide capacitance range
- Small dimensions
- For general applications and not 24h continuous operation



SPECIFICATIONS

Items		Performance Characteristics												
Operating Temperature Range		-40 ~ +85°C						-25 ~ +85°C						
Rated Voltage Range	V _R	6.3 ~ 350V DC						385 ~ 600V DC						
Surge Voltage	V _S	(V _R ≤ 315V): V _S = 1.15·V _R						(V _R > 315V): V _S = 1.10·V _R						
Capacitance Range	C _R	100 ~ 100000μF						22 ~ 2700μF						
Cap. Tolerance	ΔC	±20% (120Hz ▪ 20°C)												
Leakage Current (20°C ▪ V _R applied)	I _{LEAK}	$\leq 3 \cdot \sqrt{C_R \cdot V_R} \text{ ▪ After 5 minutes}$ [I _{LEAK} (μA) ; C _R (μF) ; V _R (V)]												
Dissipation Factor % (20°C ▪ 120Hz)	tanδ	μF / V DC	6.3	10	16	25	35	50	63	80	100	160 ~ 420	450 ~ 600	
		≤ 8200	-	35	35	30	25	20	20	15	15	15	20	
		10000 ~ 22000	55	40	40	35	30	30	25	20	-	-	-	
		≥ 27000	60	50	40	35	35	30	25	-	-	-	-	
Low Temperature Characteristics at 120Hz	Z ratio max.	V _R (V DC)	6.3 ~ 16		25	35	50 ~ 100		160 ~ 250		315 ~ 350		400 ~ 600	
		Z-25°C/Z+20°C	5		4	4	4		4		8		8	
		Z-40°C/Z+20°C	15		15	12	12		8		12		-	
Lifetime Test			V _R ≤ 100V						V _R > 100V					
Useful Life 85°C (V _R & I _R applied)		Test	3000 hours						5000 hours					
		ΔC/C _R	≤ ±30% of initial measured value						≤ ±20% of initial measured value					
		tanδ	≤ 300% of initial specified value						≤ 200% of initial specified value					
		I _{Leak}	≤ the initial specified value						≤ the initial specified value					
		Deviation Rate at Useful Life: 100 FIT = 0.01%/1000h with 60% confidence level ▪ parts show higher drift as test criteria												
Endurance 85°C (V _R & I _R applied)		Test	2000 hours											
		ΔC/C _R	≤ ±20% of initial measured value						≤ ±15% of initial measured value					
		tanδ	≤ 200% of initial specified value						≤ 175% of initial specified value					
		I _{Leak}	≤ the initial specified value						≤ the initial specified value					
Shelf Life 85°C (V _R = 0)		Test	1000 hours											
		ΔC/C _R	≤ ±20% of initial measured value						≤ ±15% of initial measured value					
		tanδ	≤ 200% of initial specified value						≤ 175% of initial specified value					
		I _{Leak}	≤ the initial specified value						≤ the initial specified value					
		Before measurement: Restore capacitor to 20°C, apply V _R for 30 min according JIS-C-5101-4												
Vibration Resistance Test		Max. 10g force, f _{RANGE} 10Hz ... 55Hz, amplitude 0.75mm; X/Y/Z-axis each 2h; capacitor rigidly clamped by body to surface ▪ IEC 60068-2-6												

STANDARD RATINGS

V_R (V)	C_R (μ F)	ϕ D (mm)	L (mm)	Typ. ESR +20°C • 120Hz (m Ω)	Max. ESR +20°C • 120Hz (m Ω)	I_R • Max. Ripple Current +85°C • 120Hz (mA rms)	CapXon Part Number
6.3	15000	22	25	37	49	2500	LP153M6R3M250A
	18000	22	30	31	41	2700	LP183M6R3M300A
	18000	25	25	31	41	2710	LP183M6R3N250A
	22000	22	30	26	33	3100	LP223M6R3M300A
	22000	25	25	26	33	3120	LP223M6R3N250A
	27000	22	35	23	29	3500	LP273M6R3M350A
	27000	25	30	23	29	3550	LP273M6R3N300A
	27000	30	25	23	29	3600	LP273M6R3O250A
	33000	22	40	19	24	3580	LP333M6R3M400A
	33000	25	35	19	24	4000	LP333M6R3N350A
	33000	30	25	19	24	4000	LP333M6R3O250A
	39000	22	50	16	20	4600	LP393M6R3M500A
	39000	25	40	16	20	4500	LP393M6R3N400A
	39000	30	30	16	20	4500	LP393M6R3O300A
	39000	35	25	16	20	4550	LP393M6R3P250A
	47000	25	45	13	17	5100	LP473M6R3N450A
	47000	30	35	13	17	5100	LP473M6R3O350A
	47000	35	30	13	17	5120	LP473M6R3P300A
	56000	25	50	11	14	5750	LP563M6R3N500A
	56000	30	40	11	14	5800	LP563M6R3O400A
	56000	35	30	11	14	5800	LP563M6R3P300A
	68000	30	45	9	12	6500	LP683M6R3O450A
	68000	35	35	9	12	6500	LP683M6R3P350A
	82000	30	50	8	10	7350	LP823M6R3O500A
82000	35	40	8	10	7380	LP823M6R3P400A	
100000	35	45	6	8	8350	LP104M6R3P450A	
10	4700	22	20	76	99	2400	LP472M010M200A
	6800	22	25	53	68	2840	LP682M010M250A
	8200	22	25	44	57	2900	LP822M010M250A
	10000	22	25	36	46	2950	LP103M010M250A
	10000	25	25	36	46	3060	LP103M010N250A
	12000	22	25	34	44	3320	LP123M010M250A
	12000	25	25	34	44	3430	LP123M010N250A
	15000	22	30	27	35	3400	LP153M010M300A
	15000	25	25	27	35	3850	LP153M010N250A
	18000	22	35	23	29	4300	LP183M010M350A
	18000	25	25	23	29	4200	LP183M010N250A
	22000	22	40	19	24	4800	LP223M010M400A
	22000	25	30	19	24	4750	LP223M010N300A
	22000	30	25	19	24	4830	LP223M010O250A
	27000	22	45	19	25	5300	LP273M010M450A
	27000	25	35	19	25	5100	LP273M010N350A
	27000	30	30	19	25	5320	LP273M010O300A
33000	22	50	15	20	5500	LP333M010M500A	

: See description at end of standard ratings

STANDARD RATINGS

V_R (V)	C_R (μ F)	ϕ D (mm)	L (mm)	Typ. ESR +20°C • 120Hz (m Ω)	Max. ESR +20°C • 120Hz (m Ω)	I_R • Max. Ripple Current +85°C • 120Hz (mA rms)	CapXon Part Number
10	33000	25	40	15	20	5500	LP333M010N400A □□
	33000	30	30	15	20	5500	LP333M010O300A □□
	33000	35	25	15	20	5600	LP333M010P250A □□
	39000	25	45	13	17	6310	LP393M010N450A □□
	39000	30	35	13	17	6250	LP393M010O350A □□
	39000	35	30	13	17	6390	LP393M010P300A □□
	47000	25	50	11	14	6600	LP473M010N500A □□
	47000	30	40	11	14	6700	LP473M010O400A □□
	47000	35	30	11	14	6720	LP473M010P300A □□
	56000	30	45	9	12	6800	LP563M010O450A □□
	56000	35	35	9	12	6900	LP563M010P350A □□
	68000	30	50	8	10	7600	LP683M010O500A □□
	68000	35	40	8	10	7800	LP683M010P400A □□
	82000	35	50	6	8	8500	LP823M010P500A □□
16	4700	22	20	76	99	2400	LP472M016M200A □□
	6800	22	25	53	68	2840	LP682M016M250A □□
	8200	22	25	44	57	2900	LP822M016M250A □□
	10000	22	25	36	46	3060	LP103M016M250A □□
	10000	25	25	36	46	3500	LP103M016N250A □□
	12000	22	30	34	44	3430	LP123M016M300A □□
	12000	25	25	34	44	3450	LP123M016N250A □□
	15000	22	35	27	35	3940	LP153M016M350A □□
	15000	25	30	27	35	4200	LP153M016N300A □□
	15000	30	25	27	35	3950	LP153M016O250A □□
	18000	22	40	23	29	4500	LP183M016M400A □□
	18000	25	30	23	29	4340	LP183M016N300A □□
	22000	22	45	19	24	4800	LP223M016M450A □□
	22000	25	35	19	24	4750	LP223M016N350A □□
	22000	25	40	19	24	5100	LP223M016N400A □□
	22000	30	30	19	24	5200	LP223M016O300A □□
	27000	25	45	15	20	6300	LP273M016N450A □□
	27000	30	35	15	20	6500	LP273M016O350A □□
	27000	35	25	15	20	5900	LP273M016P250A □□
	33000	25	50	12	16	6500	LP333M016N500A □□
	33000	30	40	12	16	6600	LP333M016O400A □□
	33000	35	30	12	16	6800	LP333M016P300A □□
	39000	25	45	10	14	5800	LP393M016N450A □□
	39000	30	45	10	14	7050	LP393M016O450A □□
	39000	35	35	10	14	7100	LP393M016P350A □□
	47000	25	50	9	11	6200	LP473M016N500A □□
	47000	30	50	9	11	7650	LP473M016O500A □□
	47000	35	40	9	11	7750	LP473M016P400A □□
	56000	30	50	7	10	7800	LP563M016O500A □□
	56000	35	45	7	10	8100	LP563M016P450A □□

□□: See description at end of standard ratings

STANDARD RATINGS

V_R (V)	C_R (μ F)	ϕ D (mm)	L (mm)	Typ. ESR +20°C • 120Hz (m Ω)	Max. ESR +20°C • 120Hz (m Ω)	I_R • Max. Ripple Current +85°C • 120Hz (mA rms)	CapXon Part Number	
16	56000	35	50	7	10	8200	LP563M016P500A □□	
	68000	35	50	6	8	8550	LP683M016P500A □□	
25	4700	22	25	65	85	2640	LP472M025M250A □□	
	5600	22	25	55	71	2720	LP562M025M250A □□	
	6800	22	30	45	59	3100	LP682M025M300A □□	
	6800	25	25	45	59	3200	LP682M025N250A □□	
	8200	22	30	37	49	3150	LP822M025M300A □□	
	8200	25	25	37	49	3250	LP822M025N250A □□	
	10000	22	35	31	40	3430	LP103M025M350A □□	
	10000	25	30	31	40	3900	LP103M025N300A □□	
	10000	30	25	31	40	3430	LP103M025O250A □□	
	12000	22	40	30	39	3840	LP123M025M400A □□	
	12000	25	35	30	39	4370	LP123M025N350A □□	
	12000	30	30	30	39	4400	LP123M025O300A □□	
	15000	22	50	24	31	4940	LP153M025M500A □□	
	15000	25	40	24	31	4800	LP153M025N400A □□	
	15000	30	30	24	31	4850	LP153M025O300A □□	
	18000	25	45	20	26	5500	LP183M025N450A □□	
	18000	30	35	20	26	5600	LP183M025O350A □□	
	22000	30	35	16	21	5400	LP223M025O350A □□	
	22000	35	30	16	21	5500	LP223M025P300A □□	
	27000	30	45	13	17	6250	LP273M025O450A □□	
	27000	35	35	13	17	6300	LP273M025P350A □□	
	33000	30	50	11	14	6850	LP333M025O500A □□	
	33000	35	40	11	14	6900	LP333M025P400A □□	
	39000	35	45	9	12	7360	LP393M025P450A □□	
	47000	35	50	8	10	8620	LP473M025P500A □□	
	35	2200	22	25	120	150	2180	LP222M035M250A □□
		3300	22	25	77	100	2460	LP332M035M250A □□
		3900	22	25	65	85	2500	LP392M035M250A □□
4700		22	30	54	71	3100	LP472M035M300A □□	
4700		25	25	54	71	3100	LP472M035N250A □□	
5600		22	30	46	59	2720	LP562M035M300A □□	
5600		25	25	46	59	2800	LP562M035N250A □□	
6800		22	35	38	49	3600	LP682M035M350A □□	
6800		25	30	38	49	3700	LP682M035N300A □□	
6800		30	25	38	49	3800	LP682M035O250A □□	
8200		22	40	31	40	3900	LP822M035M400A □□	
8200		25	35	31	40	3950	LP822M035N350A □□	
8200		30	30	31	40	4100	LP822M035O300A □□	
10000		22	45	26	33	4150	LP103M035M450A □□	
10000		25	40	26	33	4680	LP103M035N400A □□	
10000		30	30	26	33	4580	LP103M035O300A □□	
12000		22	50	26	33	4700	LP123M035M500A □□	

□□: See description at end of standard ratings

STANDARD RATINGS

V_R (V)	C_R (μ F)	ϕ D (mm)	L (mm)	Typ. ESR +20°C • 120Hz (m Ω)	Max. ESR +20°C • 120Hz (m Ω)	I_R • Max. Ripple Current +85°C • 120Hz (mA rms)	CapXon Part Number
35	12000	25	45	26	33	5100	LP123M035N450A □□
	12000	30	35	26	33	5150	LP123M035O350A □□
	12000	35	30	26	33	5250	LP123M035P300A □□
	15000	25	50	20	27	5300	LP153M035N500A □□
	15000	30	40	20	27	5720	LP153M035O400A □□
	15000	35	30	20	27	5720	LP153M035P300A □□
	18000	30	45	17	22	6100	LP183M035O450A □□
	18000	35	35	17	22	6100	LP183M035P350A □□
	22000	30	50	14	18	6500	LP223M035O500A □□
	22000	35	40	14	18	6550	LP223M035P400A □□
	27000	35	45	13	17	6800	LP273M035P450A □□
	33000	35	50	11	14	7200	LP333M035P500A □□
50	1000	22	20	210	270	1200	LP102M050M200A □□
	1500	22	25	140	180	1440	LP152M050M250A □□
	2200	22	25	92	120	2040	LP222M050M250A □□
	2700	22	30	76	98	2300	LP272M050M300A □□
	3300	22	30	62	80	2900	LP332M050M300A □□
	3300	25	25	62	80	3100	LP332M050N250A □□
	3900	22	30	52	68	2950	LP392M050M300A □□
	3900	25	25	52	68	3150	LP392M050N250A □□
	4700	22	35	43	56	3300	LP472M050M350A □□
	4700	25	30	43	56	3400	LP472M050N300A □□
	4700	30	25	43	56	3500	LP472M050O250A □□
	5600	22	40	36	47	3600	LP562M050M400A □□
	5600	25	40	36	47	3750	LP562M050N400A □□
	5600	30	30	36	47	3800	LP562M050O300A □□
	5600	35	25	36	47	3850	LP562M050P250A □□
	6800	22	50	30	39	4200	LP682M050M500A □□
	6800	25	40	30	39	4150	LP682M050N400A □□
	6800	30	30	30	39	4200	LP682M050O300A □□
	8200	25	45	25	32	4750	LP822M050N450A □□
	8200	30	35	25	32	4800	LP822M050O350A □□
	8200	35	30	25	32	4900	LP822M050P300A □□
	10000	25	50	20	27	5200	LP103M050N500A □□
	10000	30	40	20	27	5500	LP103M050O400A □□
	10000	35	30	20	27	5200	LP103M050P300A □□
	12000	30	45	26	33	5800	LP123M050O450A □□
	12000	35	35	26	33	6100	LP123M050P350A □□
	15000	30	50	20	27	6500	LP153M050O500A □□
	15000	35	40	20	27	6800	LP153M050P400A □□
	18000	30	50	17	22	7100	LP183M050O500A □□
	18000	35	45	17	22	7200	LP183M050P450A □□
22000	35	50	14	18	7800	LP223M050P500A □□	

□□: See description at end of standard ratings

STANDARD RATINGS

V_R (V)	C_R (μ F)	ϕ D (mm)	L (mm)	Typ. ESR +20°C • 120Hz (m Ω)	Max. ESR +20°C • 120Hz (m Ω)	I_R • Max. Ripple Current +85°C • 120Hz (mA rms)	CapXon Part Number
63	1000	22	20	210	270	1500	LP102M063M200A
	1500	22	25	140	180	1680	LP152M063M250A
	1800	22	25	120	150	2200	LP182M063M250A
	2200	22	30	92	120	2520	LP222M063M300A
	2200	25	25	92	120	2550	LP222M063N250A
	2700	22	35	76	98	2820	LP272M063M350A
	2700	25	30	76	98	2900	LP272M063N300A
	3300	22	35	62	80	3150	LP332M063M350A
	3300	25	30	62	80	3250	LP332M063N300A
	3300	30	25	62	80	3350	LP332M063O250A
	3900	22	40	52	68	3650	LP392M063M400A
	3900	25	35	52	68	3750	LP392M063N350A
	3900	30	30	52	68	3800	LP392M063O300A
	4700	22	45	43	56	3400	LP472M063M450A
	4700	25	35	43	56	3300	LP472M063N350A
	4700	30	30	43	56	3450	LP472M063O300A
	4700	35	25	43	56	3500	LP472M063P250A
	5600	25	45	36	47	4650	LP562M063N450A
	5600	30	35	36	47	4700	LP562M063O350A
	5600	35	30	36	47	4800	LP562M063P300A
	6800	25	50	30	39	5300	LP682M063N500A
	6800	30	40	30	39	5300	LP682M063O400A
	6800	35	30	30	39	5400	LP682M063P300A
	8200	30	40	25	32	5450	LP822M063O400A
8200	35	35	25	32	5720	LP822M063P350A	
10000	30	50	20	27	6350	LP103M063O500A	
10000	35	40	20	27	6500	LP103M063P400A	
12000	35	45	21	28	6600	LP123M063P450A	
15000	35	50	17	22	6800	LP153M063P500A	
80	680	22	20	220	290	1250	LP681M080M200A
	1000	22	25	150	200	1620	LP102M080M250A
	1200	22	25	130	170	1650	LP122M080M250A
	1500	22	30	100	130	2500	LP152M080M300A
	1500	25	25	100	130	2500	LP152M080N250A
	1800	22	30	85	110	2920	LP182M080M300A
	1800	25	25	85	110	3000	LP182M080N250A
	2200	22	35	70	90	3250	LP222M080M350A
	2200	25	30	70	90	3350	LP222M080N300A
	2200	30	25	70	90	3400	LP222M080O250A
	2700	22	40	57	74	3500	LP272M080M400A
	2700	25	35	57	74	3600	LP272M080N350A
	2700	30	30	57	74	3650	LP272M080O300A
	3300	22	45	46	60	3700	LP332M080M450A
3300	25	40	46	60	3900	LP332M080N400A	

: See description at end of standard ratings

STANDARD RATINGS

V_R (V)	C_R (μ F)	ϕ D (mm)	L (mm)	Typ. ESR +20°C • 120Hz (m Ω)	Max. ESR +20°C • 120Hz (m Ω)	I_R • Max. Ripple Current +85°C • 120Hz (mA rms)	CapXon Part Number
80	3300	30	30	46	60	3900	LP332M080O300A
	3900	22	50	39	51	4800	LP392M080M500A
	3900	25	45	39	51	4900	LP392M080N450A
	3900	30	35	39	51	4900	LP392M080O350A
	4700	25	50	33	42	5400	LP472M080N500A
	4700	30	40	33	42	5450	LP472M080O400A
	4700	35	30	33	42	5500	LP472M080P300A
	5600	30	45	27	36	5600	LP562M080O450A
	5600	35	35	27	36	5650	LP562M080P350A
	6800	30	50	23	29	5800	LP682M080O500A
	6800	35	40	23	29	5850	LP682M080P400A
	8200	35	50	19	24	6200	LP822M080P500A
	10000	35	50	22	27	6650	LP103M080P500A
	12000	35	60	18	22	7100	LP123M080P600A
100	470	22	20	320	420	1340	LP471M100M200A
	680	22	25	220	290	1530	LP681M100M250A
	820	22	25	180	240	1900	LP821M100M250A
	1000	22	25	150	200	2000	LP102M100M250A
	1000	25	25	150	200	1950	LP102M100N250A
	1200	22	30	130	170	2400	LP122M100M300A
	1200	25	25	130	170	2400	LP122M100N250A
	1500	22	35	100	130	2850	LP152M100M350A
	1500	25	30	100	130	2950	LP152M100N300A
	1500	30	25	100	130	3100	LP152M100O250A
	1800	22	40	85	110	3300	LP182M100M400A
	1800	25	35	85	110	3500	LP182M100N350A
	1800	30	30	85	110	3400	LP182M100O300A
	2700	22	50	57	74	3730	LP272M100M500A
	2700	25	40	57	74	3750	LP272M100N400A
	2700	30	35	57	74	4000	LP272M100O350A
	2700	35	30	57	74	4100	LP272M100P300A
	3300	25	50	46	60	4150	LP332M100N500A
	3300	30	35	46	60	3900	LP332M100O350A
	3300	30	40	46	60	4200	LP332M100O400A
	3300	35	30	46	60	4200	LP332M100P300A
	3900	30	40	39	51	4500	LP392M100O400A
	3900	30	45	39	51	4600	LP392M100O450A
	3900	35	30	39	51	4520	LP392M100P300A
	3900	35	35	39	51	4700	LP392M100P350A
	4700	30	45	33	42	5100	LP472M100O450A
	4700	30	50	33	42	5860	LP472M100O500A
	4700	35	35	33	42	5100	LP472M100P350A
4700	35	40	33	42	5900	LP472M100P400A	
5600	30	50	27	36	5800	LP562M100O500A	

: See description at end of standard ratings

STANDARD RATINGS

V_R (V)	C_R (μ F)	ϕ D (mm)	L (mm)	Typ. ESR +20°C • 120Hz (m Ω)	Max. ESR +20°C • 120Hz (m Ω)	I_R • Max. Ripple Current +85°C • 120Hz (mA rms)	CapXon Part Number
100	5600	35	40	27	36	5900	LP562M100P400A
	5600	35	45	27	36	6340	LP562M100P450A
	6800	35	45	23	29	6600	LP682M100P450A
	6800	35	50	23	29	6800	LP682M100P500A
	8200	35	60	19	24	7300	LP822M100P600A
160	180	22	20	650	1110	1120	LP181M160M200A
	220	22	20	530	900	1160	LP221M160M200A
	220	22	25	530	900	1200	LP221M160M250A
	270	22	25	440	740	1350	LP271M160M250A
	330	22	25	350	600	1390	LP331M160M250A
	330	22	30	350	600	1440	LP331M160M300A
	390	25	25	300	510	1660	LP391M160N250A
	470	22	30	250	420	1760	LP471M160M300A
	470	25	25	250	420	1780	LP471M160N250A
	560	22	25	210	360	2300	LP561M160M250A
	560	22	30	210	360	2400	LP561M160M300A
	680	22	30	170	290	2500	LP681M160M300A
	680	25	30	170	290	2550	LP681M160N300A
	820	22	35	140	240	2750	LP821M160M350A
	820	25	25	140	240	2530	LP821M160N250A
	1000	22	40	120	200	3000	LP102M160M400A
	1000	25	30	120	200	3000	LP102M160N300A
	1200	22	45	100	170	3260	LP122M160M450A
	1200	25	35	100	170	3250	LP122M160N350A
	1200	30	25	100	170	3050	LP122M160O250A
	1500	22	50	76	130	3730	LP152M160M500A
	1500	25	40	76	130	3730	LP152M160N400A
	1500	30	30	76	130	3730	LP152M160O300A
	1500	35	25	76	130	3500	LP152M160P250A
	1800	25	45	65	110	4200	LP182M160N450A
	1800	30	35	65	110	4200	LP182M160O350A
	1800	35	30	65	110	4300	LP182M160P300A
	2200	30	40	53	90	4780	LP222M160O400A
	2200	35	35	53	90	4850	LP222M160P350A
	2700	30	45	43	74	4900	LP272M160O450A
2700	35	40	43	74	5450	LP272M160P400A	
3300	35	45	35	60	5750	LP332M160P450A	
3900	35	50	30	51	6000	LP392M160P500A	
180	330	22	25	350	600	1430	LP331M180M250A
	390	22	30	300	510	1620	LP391M180M300A
	470	22	25	250	420	2090	LP471M180M250A
	470	22	30	250	420	1800	LP471M180M300A
	470	25	25	250	420	2000	LP471M180N250A
	560	22	30	210	360	2100	LP561M180M300A

: See description at end of standard ratings

STANDARD RATINGS

V_R (V)	C_R (μ F)	ϕ D (mm)	L (mm)	Typ. ESR +20°C • 120Hz (m Ω)	Max. ESR +20°C • 120Hz (m Ω)	I_R • Max. Ripple Current +85°C • 120Hz (mA rms)	CapXon Part Number
180	560	22	35	210	360	2100	LP561M180M350A
	560	25	30	210	360	2150	LP561M180N300A
	680	22	30	170	290	2500	LP681M180M300A
	680	22	40	170	290	2600	LP681M180M400A
	680	25	25	170	290	2510	LP681M180N250A
	680	30	25	170	290	2620	LP681M180O250A
	820	22	35	140	240	2760	LP821M180M350A
	820	25	30	140	240	2800	LP821M180N300A
	820	30	30	140	240	2570	LP821M180O300A
	1000	22	45	120	200	3000	LP102M180M450A
	1000	25	35	120	200	3000	LP102M180N350A
	1000	30	25	120	200	3000	LP102M180O250A
	1200	22	50	100	170	3310	LP122M180M500A
	1200	25	40	100	170	3310	LP122M180N400A
	1200	30	30	100	170	3300	LP122M180O300A
	1200	35	25	100	170	3400	LP122M180P250A
	1500	25	45	76	130	3830	LP152M180N450A
	1500	30	35	76	130	3850	LP152M180O350A
	1500	35	30	76	130	3830	LP152M180P300A
	1800	25	50	65	110	4320	LP182M180N500A
	1800	30	40	65	110	4320	LP182M180O400A
	1800	35	30	65	110	4350	LP182M180P300A
	2200	30	45	53	90	4920	LP222M180O450A
2200	35	40	53	90	5120	LP222M180P400A	
2700	35	45	43	74	5520	LP272M180P450A	
200	150	22	20	780	1330	960	LP151M200M200A
	180	22	20	650	1110	980	LP181M200M200A
	180	22	25	650	1110	1000	LP181M200M250A
	220	20	25	530	900	1200	LP221M200L250A
	220	22	25	530	900	1360	LP221M200M250A
	220	22	30	530	900	1380	LP221M200M300A
	270	22	25	440	740	1460	LP271M200M250A
	270	22	30	440	740	1500	LP271M200M300A
	330	20	35	350	600	1600	LP331M200L350A
	330	22	25	350	600	1700	LP331M200M250A
	330	22	30	350	600	1890	LP331M200M300A
	330	25	25	350	600	1920	LP331M200N250A
	390	22	25	300	510	1750	LP391M200M250A
	390	22	30	300	510	1920	LP391M200M300A
	390	25	25	300	510	1950	LP391M200N250A
	390	25	30	300	510	1950	LP391M200N300A
	470	22	25	250	420	1900	LP471M200M250A
470	22	30	250	420	2090	LP471M200M300A	
470	25	25	250	420	2010	LP471M200N250A	

: See description at end of standard ratings

STANDARD RATINGS

V_R (V)	C_R (μ F)	ϕ D (mm)	L (mm)	Typ. ESR +20°C • 120Hz (m Ω)	Max. ESR +20°C • 120Hz (m Ω)	I_R • Max. Ripple Current +85°C • 120Hz (mA rms)	CapXon Part Number
200	470	25	30	250	420	2230	LP471M200N300A
	560	22	30	210	360	2440	LP561M200M300A
	560	22	35	210	360	2500	LP561M200M350A
	560	25	25	210	360	2430	LP561M200N250A
	560	25	30	210	360	2500	LP561M200N300A
	680	22	35	170	290	2680	LP681M200M350A
	680	22	45	170	290	2900	LP681M200M450A
	680	25	30	170	290	2800	LP681M200N300A
	680	25	35	170	290	2980	LP681M200N350A
	680	30	25	170	290	2400	LP681M200O250A
	820	22	40	140	240	2930	LP821M200M400A
	820	22	45	140	240	3100	LP821M200M450A
	820	25	30	140	240	2930	LP821M200N300A
	820	25	35	140	240	3000	LP821M200N350A
	820	30	25	140	240	2950	LP821M200O250A
	820	30	30	140	240	3100	LP821M200O300A
	1000	22	45	120	200	3250	LP102M200M450A
	1000	22	50	120	200	3320	LP102M200M500A
	1000	25	35	120	200	3250	LP102M200N350A
	1000	30	30	120	200	3320	LP102M200O300A
	1000	35	25	120	200	3300	LP102M200P250A
	1200	22	50	100	170	3500	LP122M200M500A
	1200	25	40	100	170	3500	LP122M200N400A
	1200	30	30	100	170	3500	LP122M200O300A
	1200	30	35	100	170	3600	LP122M200O350A
	1500	25	50	76	130	4100	LP152M200N500A
	1500	30	35	76	130	3800	LP152M200O350A
	1500	35	30	76	130	3870	LP152M200P300A
	1800	30	40	65	110	3900	LP182M200O400A
	1800	30	45	65	110	4400	LP182M200O450A
	1800	35	35	65	110	4500	LP182M200P350A
	1800	35	45	65	110	5840	LP182M200P450A
	2200	30	50	53	90	5000	LP222M200O500A
2200	35	40	53	90	4920	LP222M200P400A	
2700	35	45	43	74	5900	LP272M200P450A	
2700	35	50	43	74	6000	LP272M200P500A	
3300	35	50	35	60	6100	LP332M200P500A	
250	120	22	20	980	1660	850	LP121M250M200A
	150	22	20	780	1330	900	LP151M250M200A
	150	22	25	780	1330	980	LP151M250M250A
	180	22	25	650	1110	1050	LP181M250M250A
	180	22	30	650	1110	1120	LP181M250M300A
	220	22	25	530	900	1260	LP221M250M250A
270	22	25	440	740	1410	LP271M250M250A	

: See description at end of standard ratings

STANDARD RATINGS

V_R (V)	C_R (μ F)	ϕ D (mm)	L (mm)	Typ. ESR +20°C • 120Hz (m Ω)	Max. ESR +20°C • 120Hz (m Ω)	I_R • Max. Ripple Current +85°C • 120Hz (mA rms)	CapXon Part Number
250	270	22	30	440	740	1600	LP271M250M300A
	330	22	30	350	600	1770	LP331M250M300A
	330	25	25	350	600	1780	LP331M250N250A
	390	22	30	300	510	2000	LP391M250M300A
	390	25	25	300	510	2000	LP391M250N250A
	470	22	35	250	420	2120	LP471M250M350A
	470	25	30	250	420	2110	LP471M250N300A
	470	30	30	250	420	2380	LP471M250O300A
	560	22	40	210	360	2260	LP561M250M400A
	560	25	30	210	360	2260	LP561M250N300A
	560	25	35	210	360	2320	LP561M250N350A
	560	30	25	210	360	2260	LP561M250O250A
	680	22	45	170	290	2810	LP681M250M450A
	680	25	35	170	290	2590	LP681M250N350A
	680	30	30	170	290	2510	LP681M250O300A
	820	22	50	150	250	2980	LP821M250M500A
	820	25	40	140	240	2980	LP821M250N400A
	820	30	30	140	240	2780	LP821M250O300A
	820	35	25	140	240	2780	LP821M250P250A
	1000	25	45	120	200	3330	LP102M250N450A
	1000	25	50	120	200	3540	LP102M250N500A
	1000	30	35	120	200	3330	LP102M250O350A
	1000	35	30	120	200	3330	LP102M250P300A
	1200	30	40	100	170	3670	LP122M250O400A
1200	35	35	100	170	3800	LP122M250P350A	
1500	30	50	76	130	4450	LP152M250O500A	
1500	35	40	76	130	4450	LP152M250P400A	
1800	35	45	65	110	4560	LP182M250P450A	
2200	35	50	53	90	4760	LP222M250P500A	
315	180	25	25	650	1110	1320	LP181M315N250A
	220	22	30	530	900	1420	LP221M315M300A
	270	25	30	440	740	1630	LP271M315N300A
	330	22	40	350	600	1830	LP331M315M400A
	330	25	30	350	600	1830	LP331M315N300A
	330	30	25	350	600	1850	LP331M315O250A
	390	22	45	300	510	2020	LP391M315M450A
	390	25	35	300	510	1980	LP391M315N350A
	390	30	30	300	510	2150	LP391M315O300A
	470	25	40	250	420	2280	LP471M315N400A
	470	30	30	250	420	2300	LP471M315O300A
	470	35	25	250	420	2350	LP471M315P250A
	560	25	45	210	360	2570	LP561M315N450A
	560	30	35	210	360	2570	LP561M315O350A
560	35	30	210	360	2650	LP561M315P300A	

: See description at end of standard ratings

STANDARD RATINGS

V_R (V)	C_R (μ F)	ϕ D (mm)	L (mm)	Typ. ESR +20°C • 120Hz (m Ω)	Max. ESR +20°C • 120Hz (m Ω)	I_R • Max. Ripple Current +85°C • 120Hz (mA rms)	CapXon Part Number
315	680	30	40	170	290	2880	LP681M315O400A
	680	35	35	170	290	2920	LP681M315P350A
	820	30	45	140	240	3260	LP821M315O450A
	820	35	40	140	240	3350	LP821M315P400A
	1000	30	50	120	200	3630	LP102M315O500A
	1000	35	45	120	200	3720	LP102M315P450A
350	100	22	25	1170	1990	760	LP101M350M250A
	120	22	25	980	1660	990	LP121M350M250A
	120	25	25	980	1660	1020	LP121M350N250A
	150	22	25	780	1330	1120	LP151M350M250A
	180	22	30	650	1110	1220	LP181M350M300A
	220	22	40	530	900	1410	LP221M350M400A
	220	25	35	530	900	1470	LP221M350N350A
	220	30	25	530	900	1480	LP221M350O250A
	270	22	40	440	740	1700	LP271M350M400A
	270	25	30	440	740	1670	LP271M350N300A
	330	22	45	350	600	1900	LP331M350M450A
	330	25	35	350	600	1890	LP331M350N350A
	330	35	30	350	600	1950	LP331M350P300A
	390	22	50	300	510	2080	LP391M350M500A
	390	25	40	300	510	2070	LP391M350N400A
	390	30	30	300	510	2090	LP391M350O300A
	390	35	25	300	510	2150	LP391M350P250A
	470	25	45	250	420	2410	LP471M350N450A
	470	30	35	250	420	2500	LP471M350O350A
	470	35	30	250	420	2550	LP471M350P300A
	560	25	50	210	360	2610	LP561M350N500A
	560	30	40	210	360	2630	LP561M350O400A
	560	35	30	210	360	2650	LP561M350P300A
	680	30	45	170	290	2970	LP681M350O450A
680	35	35	170	290	3000	LP681M350P350A	
820	30	50	140	240	3260	LP821M350O500A	
820	35	45	140	240	3400	LP821M350P450A	
1000	35	50	120	200	3550	LP102M350P500A	
385	82	22	25	1430	2430	750	LP820M385M250A
	100	22	30	1170	1990	850	LP101M385M300A
	120	22	30	980	1660	950	LP121M385M300A
	120	25	25	980	1660	980	LP121M385N250A
	150	22	35	780	1330	1120	LP151M385M350A
	150	25	30	780	1330	1150	LP151M385N300A
	180	22	40	650	1110	1210	LP181M385M400A
	180	25	35	650	1110	1250	LP181M385N350A
	180	30	25	650	1110	1310	LP181M385O250A
	220	22	45	530	900	1450	LP221M385M450A

: See description at end of standard ratings

STANDARD RATINGS

V_R (V)	C_R (μ F)	ϕ D (mm)	L (mm)	Typ. ESR +20°C • 120Hz (m Ω)	Max. ESR +20°C • 120Hz (m Ω)	I_R - Max. Ripple Current +85°C • 120Hz (mA rms)	CapXon Part Number
385	220	25	35	530	900	1450	LP221M385N350A □□
	220	30	30	530	900	1470	LP221M385O300A □□
	270	25	40	440	740	1590	LP271M385N400A □□
	270	30	35	440	740	1650	LP271M385O350A □□
	330	25	50	350	600	1850	LP331M385N500A □□
	330	30	40	350	600	1890	LP331M385O400A □□
	330	35	30	350	600	1910	LP331M385P300A □□
	390	30	40	300	510	2070	LP391M385O400A □□
	390	35	35	300	510	2100	LP391M385P350A □□
	470	30	50	250	420	2620	LP471M385O500A □□
	470	35	40	250	420	2840	LP471M385P400A □□
	560	35	45	210	360	2980	LP561M385P450A □□
	680	35	50	170	290	3710	LP681M385P500A □□
	680	40	40	170	290	3820	LP681M385Q400A □□
	820	35	55	140	240	4180	LP821M385P550A □□
	820	40	45	140	240	4250	LP821M385Q450A □□
	1000	35	65	120	200	4950	LP102M385P650A □□
	1000	40	50	120	200	4890	LP102M385Q500A □□
	1000	45	40	120	200	4850	LP102M385V400A □□
	1200	35	75	100	170	5680	LP122M385P750A □□
	1200	40	60	100	170	5550	LP122M385Q600A □□
	1200	45	45	100	170	5520	LP122M385V450A □□
	1500	35	90	76	130	6710	LP152M385P900A □□
	1500	40	70	76	130	6590	LP152M385Q700A □□
	1500	45	55	76	130	6550	LP152M385V550A □□
	1800	40	80	65	110	7230	LP182M385Q800A □□
	1800	45	60	65	110	7120	LP182M385V600A □□
2200	40	95	53	90	8540	LP222M385Q950A □□	
2200	45	75	53	90	8310	LP222M385V750A □□	
2700	45	85	43	74	8910	LP272M385V850A □□	
400	47	22	20	2490	4230	420	LP470M400M200A □□
	56	22	25	2090	3550	530	LP560M400M250A □□
	68	22	20	1720	2930	440	LP680M400M200A □□
	68	22	25	1720	2930	470	LP680M400M250A □□
	82	20	25	1430	2430	600	LP820M400L250A □□
	82	22	25	1430	2430	830	LP820M400M250A □□
	100	22	25	1170	1990	850	LP101M400M250A □□
	100	22	30	1170	1990	910	LP101M400M300A □□
	120	22	25	980	1660	1030	LP121M400M250A □□
	150	22	25	780	1330	1150	LP151M400M250A □□
	150	22	30	780	1330	1180	LP151M400M300A □□
	150	25	30	780	1330	1220	LP151M400N300A □□
	150	30	25	780	1330	1250	LP151M400O250A □□
180	22	30	650	1110	1500	LP181M400M300A □□	

□□: See description at end of standard ratings

STANDARD RATINGS

V_R (V)	C_R (μ F)	ϕ D (mm)	L (mm)	Typ. ESR +20°C • 120Hz (m Ω)	Max. ESR +20°C • 120Hz (m Ω)	I_R • Max. Ripple Current +85°C • 120Hz (mA rms)	CapXon Part Number
400	180	25	25	650	1110	1500	LP181M400N250A ☐☐
	180	30	25	650	1110	1530	LP181M400O250A ☐☐
	220	22	35	530	900	1700	LP221M400M350A ☐☐
	220	25	30	530	900	1720	LP221M400N300A ☐☐
	220	30	35	530	900	1750	LP221M400O350A ☐☐
	270	22	40	440	740	1910	LP271M400M400A ☐☐
	270	25	35	440	740	2000	LP271M400N350A ☐☐
	270	30	25	440	740	1960	LP271M400O250A ☐☐
	270	35	30	440	740	2050	LP271M400P300A ☐☐
	330	22	50	350	600	2000	LP331M400M500A ☐☐
	330	25	40	350	600	2000	LP331M400N400A ☐☐
	330	30	30	350	600	2050	LP331M400O300A ☐☐
	330	35	25	350	600	2200	LP331M400P250A ☐☐
	330	35	30	350	600	2300	LP331M400P300A ☐☐
	390	22	50	300	510	2100	LP391M400M500A ☐☐
	390	25	45	300	510	2200	LP391M400N450A ☐☐
	390	30	30	300	510	2100	LP391M400O300A ☐☐
	390	30	35	300	510	2200	LP391M400O350A ☐☐
	390	35	25	300	510	2300	LP391M400P250A ☐☐
	390	35	30	300	510	2500	LP391M400P300A ☐☐
	470	25	50	250	420	2700	LP471M400N500A ☐☐
	470	30	35	250	420	2600	LP471M400O350A ☐☐
	470	35	30	250	420	2600	LP471M400P300A ☐☐
	560	30	40	210	360	2920	LP561M400O400A ☐☐
	560	30	45	210	360	2920	LP561M400O450A ☐☐
	560	35	35	210	360	2920	LP561M400P350A ☐☐
	560	35	40	210	360	2950	LP561M400P400A ☐☐
	680	30	45	170	290	3300	LP681M400O450A ☐☐
	680	30	50	170	290	3400	LP681M400O500A ☐☐
	680	35	35	170	290	3350	LP681M400P350A ☐☐
	680	35	40	170	290	3400	LP681M400P400A ☐☐
	820	35	45	140	240	3450	LP821M400P450A ☐☐
	820	35	50	140	240	3500	LP821M400P500A ☐☐
	1000	35	50	120	200	3940	LP102M400P500A ☐☐
	1200	35	55	100	170	4450	LP122M400P550A ☐☐
	1200	35	80	100	170	5600	LP122M400P800A ☐☐
1200	40	60	100	170	5330	LP122M400Q600A ☐☐	
1200	45	50	100	170	5200	LP122M400V500A ☐☐	
1500	35	95	76	130	6660	LP152M400P950A ☐☐	
1500	40	75	76	130	6320	LP152M400Q750A ☐☐	
1500	45	55	76	130	5920	LP152M400V550A ☐☐	
2200	45	80	53	90	7900	LP222M400V800A ☐☐	
2700	45	90	43	74	9090	LP272M400V900A ☐☐	

☐☐: See description at end of standard ratings

STANDARD RATINGS

V_R (V)	C_R (μ F)	ϕ D (mm)	L (mm)	Typ. ESR +20°C • 120Hz (m Ω)	Max. ESR +20°C • 120Hz (m Ω)	I_R • Max. Ripple Current +85°C • 120Hz (mA rms)	CapXon Part Number
420	47	22	20	3320	5640	480	LP470M420M200A
	56	22	25	2790	4740	530	LP560M420M250A
	68	22	25	2290	3900	730	LP680M420M250A
	68	22	30	2290	3900	680	LP680M420M300A
	82	22	25	1900	3230	880	LP820M420M250A
	82	22	30	1900	3230	920	LP820M420M300A
	82	25	25	1900	3230	950	LP820M420N250A
	100	22	25	1560	2650	1030	LP101M420M250A
	100	22	30	1560	2650	1070	LP101M420M300A
	100	25	25	1560	2650	1120	LP101M420N250A
	120	22	25	1300	2210	1080	LP121M420M250A
	120	22	30	1300	2210	1100	LP121M420M300A
	120	25	25	1300	2210	1100	LP121M420N250A
	150	22	30	1040	1770	1330	LP151M420M300A
	150	25	25	1040	1770	1350	LP151M420N250A
	150	25	30	1040	1770	1350	LP151M420N300A
	150	30	25	1040	1770	1390	LP151M420Q250A
	180	22	35	860	1470	1500	LP181M420M350A
	180	25	30	860	1470	1500	LP181M420N300A
	180	30	25	860	1470	1550	LP181M420Q250A
	220	22	40	710	1210	1780	LP221M420M400A
	220	25	35	710	1210	1800	LP221M420N350A
	220	30	25	710	1210	1830	LP221M420Q250A
	270	22	45	580	980	1940	LP271M420M450A
	270	25	35	580	980	1940	LP271M420N350A
	270	25	40	580	980	1980	LP271M420N400A
	270	30	30	580	980	1940	LP271M420Q300A
	270	35	35	580	980	2000	LP271M420P350A
	330	25	45	470	800	2150	LP331M420N450A
	330	30	40	470	800	2180	LP331M420Q400A
	330	35	35	470	800	2210	LP331M420P350A
	330	35	40	470	800	2250	LP331M420P400A
	390	25	45	400	680	2350	LP391M420N450A
	390	30	40	400	680	2350	LP391M420Q400A
	390	35	35	400	680	2430	LP391M420P350A
	390	35	40	400	680	2520	LP391M420P400A
	470	30	40	330	560	2600	LP471M420Q400A
	470	30	45	330	560	2780	LP471M420Q450A
	470	35	35	330	560	2780	LP471M420P350A
	470	35	40	330	560	2800	LP471M420P400A
560	30	45	280	470	2850	LP561M420Q450A	
560	35	40	280	470	2950	LP561M420P400A	
560	35	45	280	470	2970	LP561M420P450A	
560	40	40	280	470	2950	LP561M420Q400A	

: See description at end of standard ratings

STANDARD RATINGS

V_R (V)	C_R (μ F)	ϕ D (mm)	L (mm)	Typ. ESR +20°C • 120Hz (m Ω)	Max. ESR +20°C • 120Hz (m Ω)	I_R • Max. Ripple Current +85°C • 120Hz (mA rms)	CapXon Part Number
420	680	35	45	230	390	3590	LP681M420P450A
	680	35	50	230	390	3620	LP681M420P500A
	680	40	45	230	390	3750	LP681M420Q450A
	820	35	50	190	320	4150	LP821M420P500A
	820	40	50	190	320	4230	LP821M420Q500A
	820	45	40	190	320	4320	LP821M420V400A
	1000	35	75	160	270	5010	LP102M420P750A
	1000	40	60	160	270	4910	LP102M420Q600A
	1000	45	45	160	270	4780	LP102M420V450A
	1200	35	85	130	220	5530	LP122M420P850A
	1200	40	70	130	220	5680	LP122M420Q700A
	1200	45	55	130	220	5480	LP122M420V550A
	1500	40	80	110	180	6380	LP152M420Q800A
	1500	45	65	110	180	6250	LP152M420V650A
	1800	40	95	88	150	7510	LP182M420Q950A
	1800	45	70	88	150	7210	LP182M420V700A
2200	45	85	71	120	7880	LP222M420V850A	
450	22	22	20	7090	12060	300	LP220M450M200A
	47	22	20	3320	5640	500	LP470M450M200A
	56	22	25	2790	4740	600	LP560M450M250A
	68	22	25	2290	3900	730	LP680M450M250A
	68	22	30	2290	3900	750	LP680M450M300A
	82	22	25	1900	3230	850	LP820M450M250A
	82	25	25	1900	3230	900	LP820M450N250A
	100	22	30	1560	2650	950	LP101M450M300A
	100	25	25	1560	2650	980	LP101M450N250A
	120	22	30	1300	2210	1100	LP121M450M300A
	120	25	25	1300	2210	1150	LP121M450N250A
	150	22	30	1040	1770	1390	LP151M450M300A
	150	22	35	1040	1770	1430	LP151M450M350A
	150	25	25	1040	1770	1430	LP151M450N250A
	150	30	25	1040	1770	1450	LP151M450O250A
	150	30	30	1040	1770	1470	LP151M450O300A
	180	22	35	860	1470	1350	LP181M450M350A
	180	25	30	860	1470	1380	LP181M450N300A
	180	25	35	860	1470	1410	LP181M450N350A
	180	30	25	860	1470	1380	LP181M450O250A
	220	22	40	710	1210	1560	LP221M450M400A
	220	25	35	710	1210	1610	LP221M450N350A
	220	25	40	710	1210	1650	LP221M450N400A
	220	30	25	710	1210	1610	LP221M450O250A
220	30	30	710	1210	1650	LP221M450O300A	
220	35	25	710	1210	1650	LP221M450P250A	
270	22	45	580	980	1900	LP271M450M450A	

: See description at end of standard ratings

STANDARD RATINGS

V_R (V)	C_R (μ F)	ϕ D (mm)	L (mm)	Typ. ESR +20°C • 120Hz (m Ω)	Max. ESR +20°C • 120Hz (m Ω)	I_R - Max. Ripple Current +85°C • 120Hz (mA rms)	CapXon Part Number
450	270	25	40	580	980	1920	LP271M450N400A □□
	270	25	45	580	980	1860	LP271M450N450A □□
	270	30	30	580	980	1880	LP271M450O300A □□
	270	35	25	580	980	1840	LP271M450P250A □□
	270	35	35	580	980	1920	LP271M450P350A □□
	330	25	45	470	800	2100	LP331M450N450A □□
	330	30	35	470	800	1980	LP331M450O350A □□
	330	30	40	470	800	2100	LP331M450O400A □□
	330	35	25	470	800	2000	LP331M450P250A □□
	330	35	30	470	800	2100	LP331M450P300A □□
	390	25	50	400	680	2300	LP391M450N500A □□
	390	30	35	400	680	2200	LP391M450O350A □□
	390	30	40	400	680	2300	LP391M450O400A □□
	390	35	30	400	680	2600	LP391M450P300A □□
	390	35	40	400	680	2540	LP391M450P400A □□
	470	30	40	330	560	2550	LP471M450O400A □□
	470	30	45	330	560	2580	LP471M450O450A □□
	470	35	35	330	560	2580	LP471M450P350A □□
	470	35	40	330	560	2600	LP471M450P400A □□
	470	35	45	330	560	2620	LP471M450P450A □□
	470	40	40	330	560	2650	LP471M450Q400A □□
	560	30	50	280	470	2830	LP561M450O500A □□
	560	35	40	280	470	2850	LP561M450P400A □□
	560	35	45	280	470	2880	LP561M450P450A □□
	560	40	45	280	470	3270	LP561M450Q450A □□
	680	30	55	230	390	3520	LP681M450O550A □□
	680	35	45	230	390	3520	LP681M450P450A □□
	680	40	50	230	390	3710	LP681M450Q500A □□
	680	45	40	230	390	3710	LP681M450V400A □□
	820	35	50	190	320	3750	LP821M450P500A □□
	820	35	70	190	320	4310	LP821M450P700A □□
	820	40	55	190	320	4300	LP821M450Q550A □□
	820	45	45	190	320	4140	LP821M450V450A □□
	1000	35	80	160	270	5300	LP102M450P800A □□
1000	40	60	160	270	4710	LP102M450Q600A □□	
1000	40	65	160	270	4890	LP102M450Q650A □□	
1000	45	50	160	270	4710	LP102M450V500A □□	
1200	35	95	130	220	5850	LP122M450P950A □□	
1200	40	75	130	220	5550	LP122M450Q750A □□	
1200	45	60	130	220	5550	LP122M450V600A □□	
1500	40	90	110	180	6560	LP152M450Q900A □□	
1500	45	70	110	180	6270	LP152M450V700A □□	
1800	45	80	88	150	7120	LP182M450V800A □□	
2200	45	95	71	120	8280	LP222M450V950A □□	

□□: See description at end of standard ratings

STANDARD RATINGS

V_R (V)	C_R (μ F)	ϕ D (mm)	L (mm)	Typ. ESR +20°C • 120Hz (m Ω)	Max. ESR +20°C • 120Hz (m Ω)	I_R • Max. Ripple Current +85°C • 120Hz (mA rms)	CapXon Part Number
500	56	22	25	2790	4740	650	LP560M500M250A
	68	22	30	2290	3900	750	LP680M500M300A
	68	25	25	2290	3900	750	LP680M500N250A
	68	25	30	2290	3900	780	LP680M500N300A
	82	22	35	1900	3230	880	LP820M500M350A
	82	25	30	1900	3230	900	LP820M500N300A
	82	30	30	1900	3230	920	LP820M500Q300A
	100	22	40	1560	2650	960	LP101M500M400A
	100	25	30	1560	2650	980	LP101M500N300A
	100	30	30	1560	2650	1050	LP101M500Q300A
	120	22	45	1300	2210	1100	LP121M500M450A
	120	25	40	1300	2210	1130	LP121M500N400A
	120	30	30	1300	2210	1160	LP121M500Q300A
	150	22	50	1040	1770	1220	LP151M500M500A
	150	25	45	1040	1770	1270	LP151M500N450A
	150	30	30	1040	1770	1240	LP151M500Q300A
	180	25	50	860	1470	1420	LP181M500N500A
	180	30	35	860	1470	1400	LP181M500Q350A
	220	30	40	710	1210	1650	LP221M500Q400A
	220	35	40	710	1210	1680	LP221M500P400A
	270	30	40	580	980	1500	LP271M500Q400A
	270	35	40	580	980	1880	LP271M500P400A
	330	30	50	470	800	1950	LP331M500Q500A
	330	35	50	470	800	2100	LP331M500P500A
	390	35	55	400	680	2350	LP391M500P550A
	390	40	45	400	680	2370	LP391M500Q450A
	470	35	60	330	560	2600	LP471M500P600A
	470	40	50	330	560	2600	LP471M500Q500A
	560	35	70	280	470	2510	LP561M500P700A
	560	40	55	280	470	2490	LP561M500Q550A
	680	40	65	230	390	2830	LP681M500Q650A
	680	45	50	230	390	2810	LP681M500V500A
	820	40	75	190	320	3220	LP821M500Q750A
820	45	60	190	320	3200	LP821M500V600A	
1000	40	85	160	270	3660	LP102M500Q850A	
1000	45	70	160	270	3620	LP102M500V700A	
1200	45	80	130	220	4150	LP122M500V800A	
1500	45	100	110	180	4900	LP152M500VA00A	
550	47	25	25	3320	5640	520	LP470M550N250A
	56	25	25	2790	4740	650	LP560M550N250A
	68	25	30	2290	3900	750	LP680M550N300A
	82	25	35	1900	3230	850	LP820M550N350A
	82	30	25	1900	3230	850	LP820M550Q250A
100	25	35	1560	2650	940	LP101M550N350A	

: See description at end of standard ratings

STANDARD RATINGS

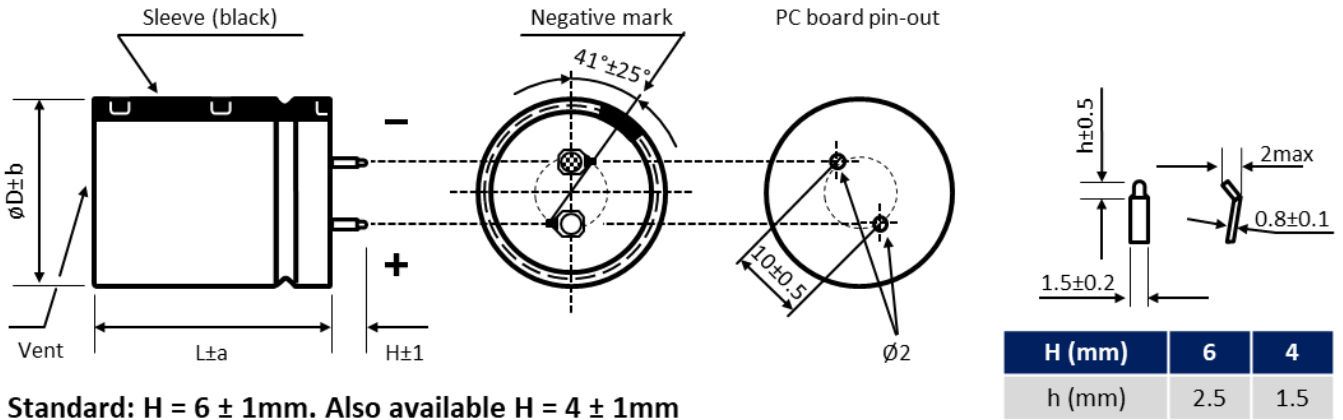
V_R (V)	C_R (μ F)	ϕ D (mm)	L (mm)	Typ. ESR +20°C • 120Hz (m Ω)	Max. ESR +20°C • 120Hz (m Ω)	I_R • Max. Ripple Current +85°C • 120Hz (mA rms)	CapXon Part Number
550	100	30	30	1560	2650	1050	LP101M550O300A □□
	120	25	40	1300	2210	1080	LP121M550N400A □□
	120	30	35	1300	2210	1180	LP121M550O350A □□
	120	35	25	1300	2210	1180	LP121M550P250A □□
	150	25	50	1040	1770	1280	LP151M550N500A □□
	150	30	35	1040	1770	1300	LP151M550O350A □□
	150	35	30	1040	1770	1450	LP151M550P300A □□
	180	25	55	860	1470	1480	LP181M550N550A □□
	180	30	40	860	1470	1480	LP181M550O400A □□
	180	35	35	860	1470	1620	LP181M550P350A □□
	220	30	50	710	1210	1850	LP221M550O500A □□
	220	35	40	710	1210	1860	LP221M550P400A □□
	270	30	55	580	980	2150	LP271M550O550A □□
	270	35	45	580	980	2210	LP271M550P450A □□
	330	35	50	470	800	2200	LP331M550P500A □□
390	35	55	400	680	2820	LP391M550P550A □□	
600	47	25	25	3320	5640	620	LP470M600N250A □□
	56	25	30	2790	4740	710	LP560M600N300A □□
	68	25	35	2290	3900	770	LP680M600N350A □□
	68	30	25	2290	3900	780	LP680M600O250A □□
	82	25	35	1900	3230	870	LP820M600N350A □□
	82	30	30	1900	3230	920	LP820M600O300A □□
	100	25	40	1560	2650	1000	LP101M600N400A □□
	100	30	35	1560	2650	1100	LP101M600O350A □□
	100	35	25	1560	2650	1100	LP101M600P250A □□
	120	25	50	1300	2210	1200	LP121M600N500A □□
	120	30	35	1300	2210	1180	LP121M600O350A □□
	120	35	30	1300	2210	1300	LP121M600P300A □□
	150	25	55	1040	1770	1360	LP151M600N550A □□
	150	30	45	1040	1770	1470	LP151M600O450A □□
	150	35	35	1040	1770	1520	LP151M600P350A □□
	180	30	50	860	1470	1670	LP181M600O500A □□
	180	35	40	860	1470	1710	LP181M600P400A □□
	220	30	55	710	1210	1950	LP221M600O550A □□
220	35	45	710	1210	1950	LP221M600P450A □□	
270	35	50	580	980	2250	LP271M600P500A □□	

□□: Enter **P6** for standard type • 6mm pin length
 □□: Enter **Z6** for 3-pin type • 6mm pin length
 □□: Enter **Y6** for multipin-type • 6mm pin length

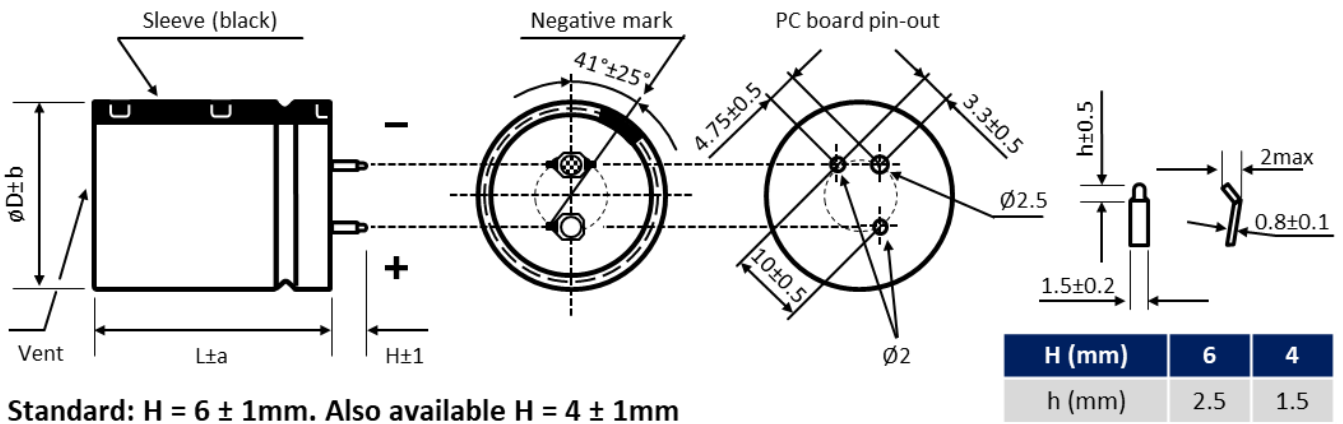
□□: Enter **P4** for standard type • 4mm pin length
 □□: Enter **Z4** for 3-pin type • 4mm pin length
 □□: Enter **Y4** for multipin type • 4mm pin length

DIMENSIONS ▪ All dimensions in mm

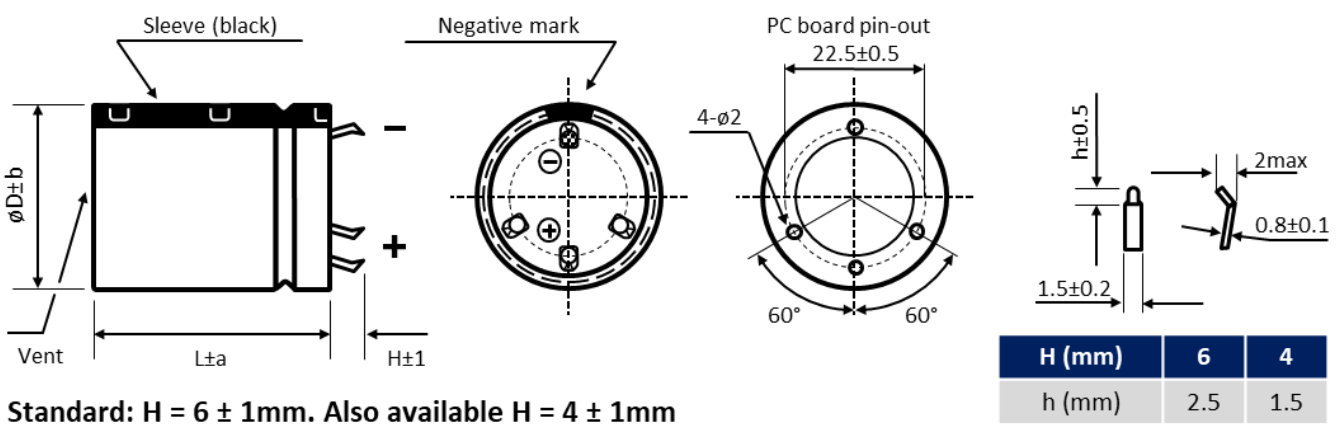
2-pin version ▪ Standard type



3-pin version ▪ Polarity protection



Multipin version ▪ Diameter $\varnothing D \geq 30$ mm








Further possible terminal styles can be found in our packaging information liquid snap-in.

MULTIPLIER K_f for RIPPLE CURRENT vs. FREQUENCY

V_R (V) / Frequency (Hz)	50/60	100/120	300	1k	10k	50k - 100k
$6.3 \leq V_R \leq 100$	0.88	1	1.07	1.15	1.15	1.15
$160 \leq V_R \leq 250$	0.81	1	1.17	1.32	1.45	1.5
$315 \leq V_R \leq 600$	0.77	1	1.16	1.3	1.41	1.43

PRECAUTIONS, GUIDELINES AND PACKAGING INFORMATION

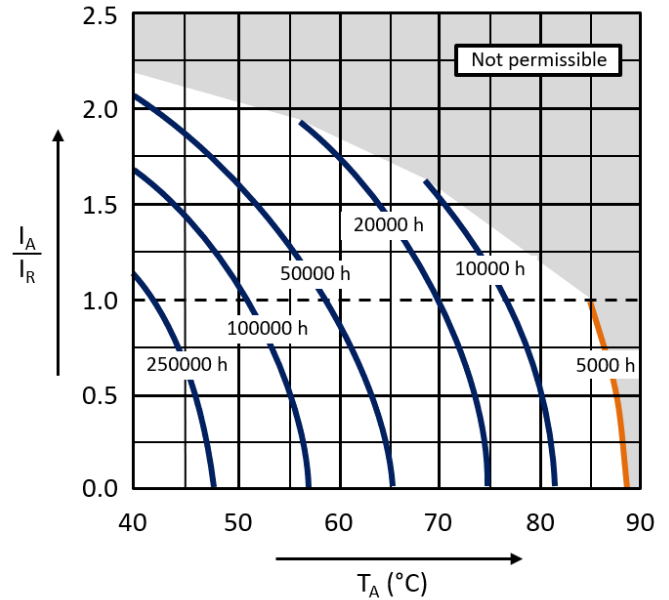
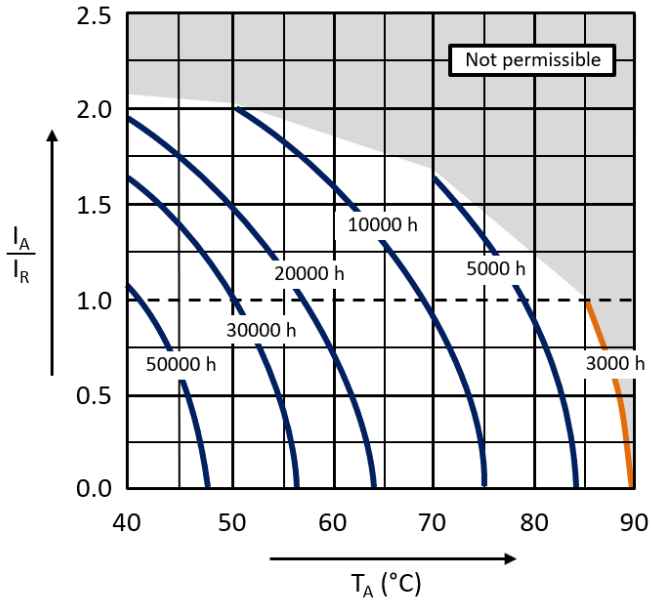
Unless otherwise agreed in individual specifications, all products are subject to our “General Precautions and Guidelines” as well as our “Packaging Information”. Please refer to the following links in the table.

				
General Precautions & Guidelines	Packaging Information	Vibration Test Profiles	3D Models	Reliability Tests

USEFUL LIFE

$V_R \leq 100V$

$V_R \geq 160V$



With: I_A : Application current
 I_R : Rated ripple current (A RMS)
 T_A : Application temperature of the capacitor

GROUP CHART

85°C ■ 2000h to 5000h



*LP Series • Economy type
 Not for 24h continuous operation





DISCLAIMER

All product related data (e.g. specification, statements and general information) are subject to change without any notice. It is necessary that the customer observes all product related technical / application information and handling instructions.

CapXon products are designed and manufactured according to severe quality and safety standards. Under no circumstance, CapXon warrants that any CapXon product is suitable for the purposes intended for your application, even CapXon knows the application. It is customer's duty and obligation to check and make sure that CapXon products are suitable for the purposes intended and select the correct and proper CapXon product. Customers are requested to perform a sufficient validation and reliability evaluation to assure needed safety level and reliability performance by suitable designs and to apply proper safeguards (e.g. redundancies, protective circuits).

Particular operating conditions (ambient temperature, ripple current, voltage, thermal resistance, etc.) as well as storage, production or assembly may affect the performance and the lifetime of the capacitor. Please consult CapXon for lifetime estimation, failure mode considerations or worst-case scenarios according to the product technology, product tolerances / deviations or change of the characteristics of the capacitor due to shipment, storage, handling, production and usage.

For aerospace or military application, life-saving, life-sustaining, safety critical applications or any application where failure may cause severe personal injury or death, please consult us before design-in the capacitor in your application.

Except for the written expressed warranties, CapXon does not impliedly, by assumption or whatever else, warrant, undertake, promise any other warranty or guaranty for any CapXon product.

For further information, please visit our website www.capxongroup.com or contact CapXon directly.