



Product information

Three-phase three-wire AC filter-DAC1

Description

Simple installation, bolt mode link, customizable, using single-pole filter circuit design, strong anti-interference, good low frequency performance, can be used for high current equipment.

Technical Data

Rated Voltage	380/440VAC
Line Frequency	50/60Hz
Test Voltage	1500VDC (line/line) 2750VAC (line/ground)
Insulation Resistance	>50M @500VDC
Temperature Rise	<30
Climatic Category	25/085/21
Housing Material	Nickel-plated iron

Approval & Compliance



Features

- Rated current : 6A-20A
- Strong anti-jamming
- Low frequency performance is good, can be used for high current equipment
- Can be customized upon request

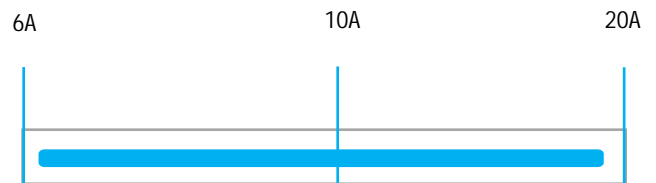
Applications

- Power equipment such as UPS
- General electronic equipment
- Power monitoring equipment
- Measuring equipment

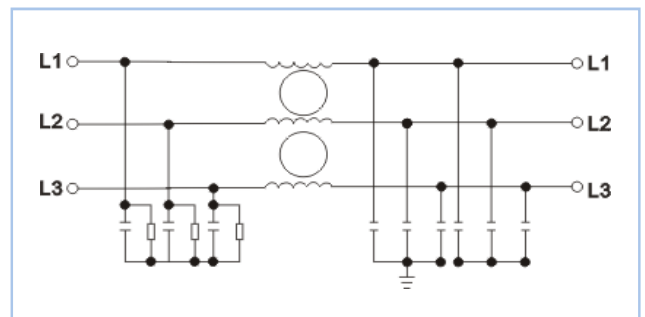
Performance Indicator



Rated Current [A]

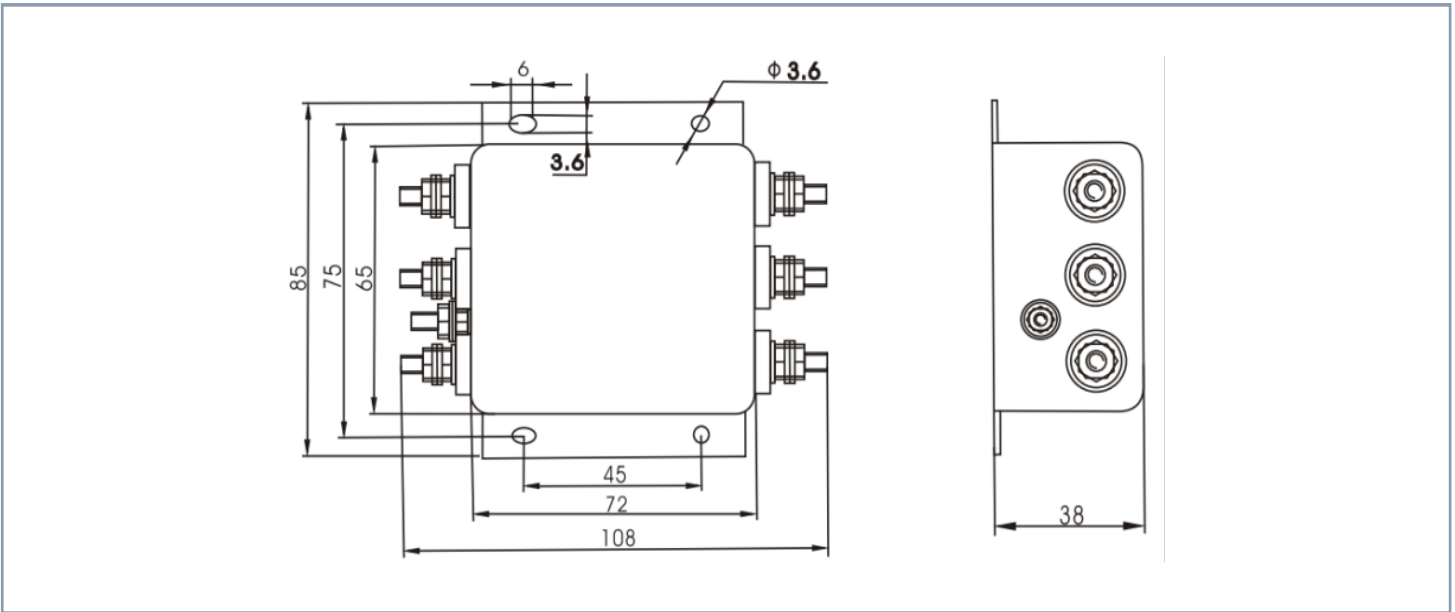


Typical Circuit Diagram



Part No	Rated Current	Rated Current	Case Type	Termination		Safety Certification	Remark
				Input	Output		
DAC1-6A	6A	<2.0mA	C1	Bolt	Bolt	CE, ROHS	Parameter customization
DAC1-10A	10A	<2.0mA	C1	Bolt	Bolt		
DAC1-20A	20A	<2.0mA	C1	Bolt	Bolt		

Overall Dimension (±1mm)



Insertion loss

———— Common mode - - - - - Difference module

