



Product information

# Three-phase three-wire AC filter-DAC3

## Description

Simple installation, bolt connection, customizable, single-pole filter circuit design, strong anti-interference, good low frequency performance, can be used for high current equipment.

## Technical Data

Rated Voltage	380/440VAC
Line Frequency	50/60Hz
Test Voltage	1500VDC (line/line) 2750VAC (line/ground)
Insulation Resistance	>50M @500VDC
Temperature Rise	<30
Climatic Category	25/085/21
Housing Material	Nickel-plated iron

## Approval & Compliance



## Features

- Rated current : 30A-35A
- Strong anti-jamming
- Low frequency performance is good, can be used for high current equipment
- Can be customized upon request

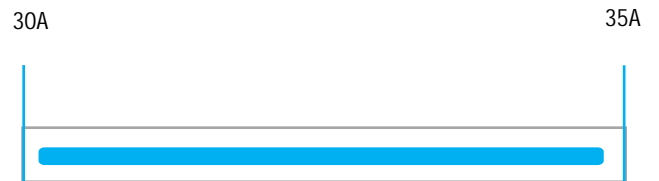
## Applications

- Switching power supply
- Power equipment such as UPS
- Power monitoring equipment
- Measuring equipment

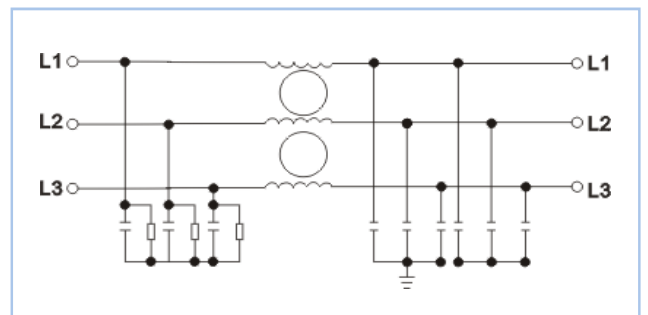
## Performance Indicator



## Rated Current [A]

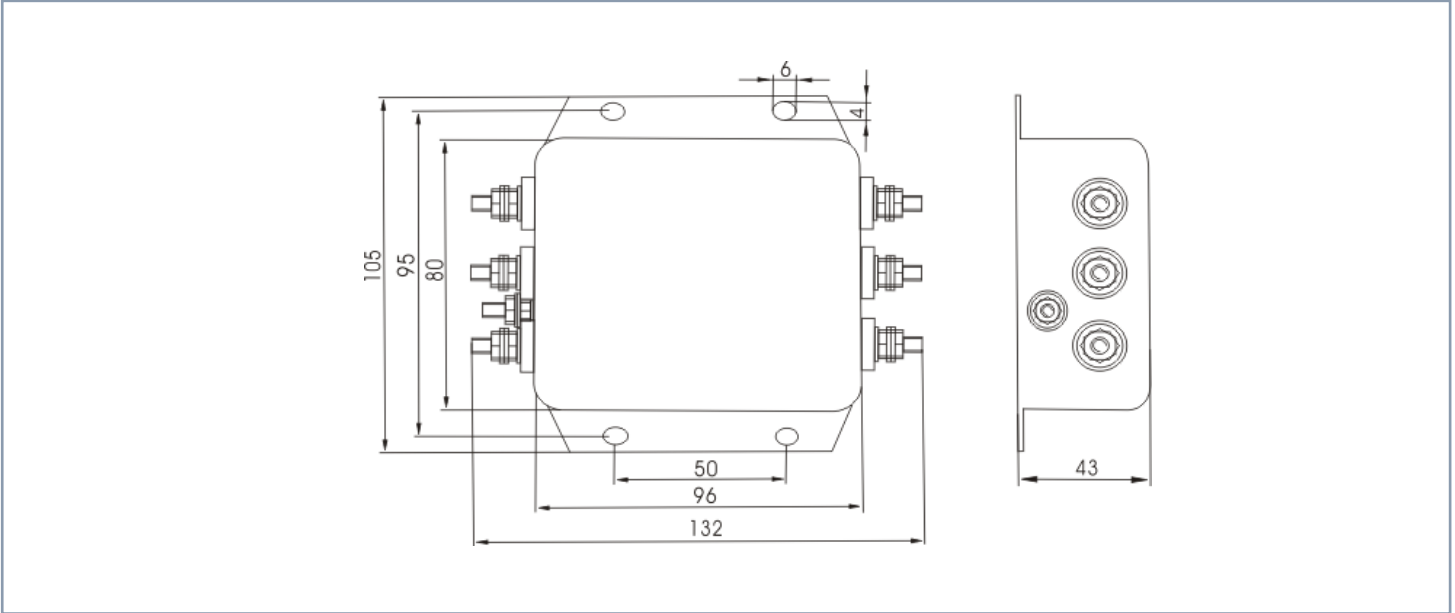


## Typical Circuit Diagram



Part No	Rated Current	Rated Current	Case Type	Termination		Safety Certification	Remark
				Input	Output		
DAC3-30A	30A	<2.0mA	C3	Bolt	Bolt	CE, ROHS	Parameter customization
DAC3-35A	35A	<2.0mA	C3	Bolt	Bolt		

Overall Dimension ( ±1mm)



Insertion loss

———— Common mode    - - - - - Difference module

