



Product information

Three-phase three-wire AC filter-DAC4-D

Description

Simple installation, bolt connection, customizable, single-pole filter circuit design, strong anti-interference, good low frequency performance, can be used for high current equipment.

Technical Data

Rated Voltage	380/440VAC
Line Frequency	50/60Hz
Test Voltage	1500VDC (line/line) 2750VAC (line/ground)
Insulation Resistance	>50M @500VDC
Temperature Rise	<30
Climatic Category	25/085/21
Housing Material	Nickel-plated iron

Approval & Compliance



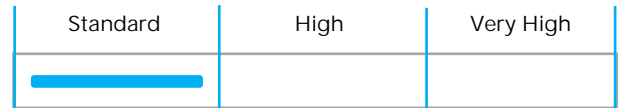
Features

- Rated current : 40A-100A
- Strong anti-jamming
- Low frequency performance is good, can be used for high current equipment
- Can be customized upon request

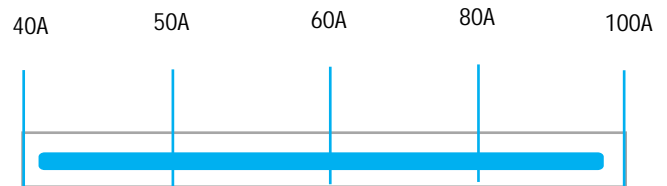
Applications

- Switching power supply
- Power equipment such as UPS
- Power monitoring equipment
- Measuring equipment

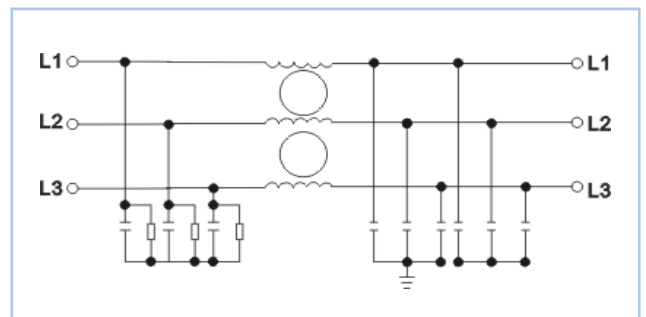
Performance Indicator



Rated Current [A]

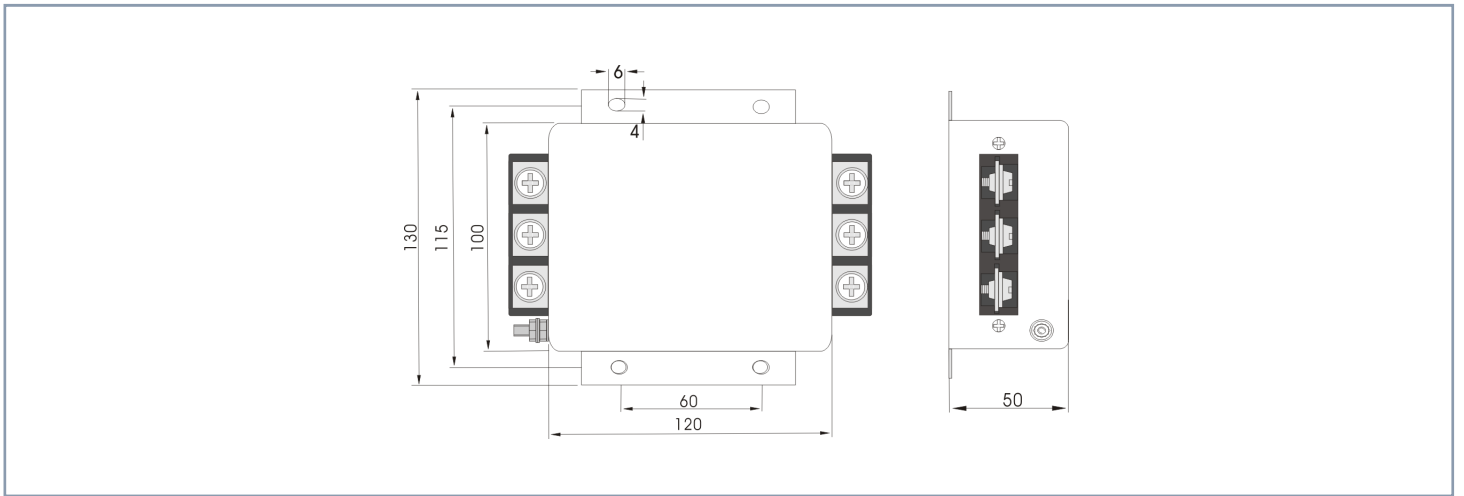


Typical Circuit Diagram



Part No	Rated Current	Rated Current	Case Type	Termination		Safety Certification	Remark
				Input	Output		
DAC4-40A-D	40A	<2.0mA	C4	Bolt	Bolt	CE、ROHS	Parameter customization
DAC4-50A-D	50A	<2.0mA	C4	Bolt	Bolt		
DAC4-60A-D	60A	<2.0mA	C4	Bolt	Bolt		
DAC4-80A-D	80A	<2.0mA	C4	Bolt	Bolt		
DAC4-100A-D	100A	<5.0mA	C4	Bolt	Bolt		

Overall Dimension (±1mm)



Insertion loss

———— Common mode - - - - - Difference module

