



Approval & Compliance



Features

- Rated current : 6A-30A
- Strong anti-jamming
- Bolted link mode, easy installation
- Can be customized upon request

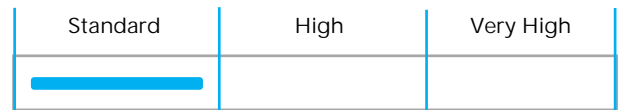
Applications

- Switching power supply
- General electronic equipment
- Power equipment such as UPS
- Power monitoring equipment
- Measuring equipment

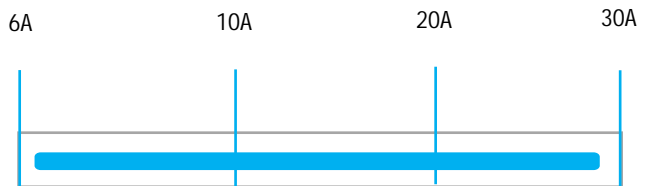
Product information

Three-phase four-wire AC filter-DAC41

Performance Indicator



Rated Current [A]



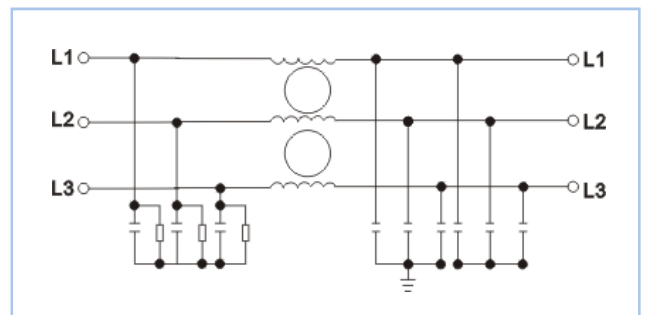
Description

Simple installation, bolt connection, customizable, single-pole filter circuit design, strong anti-interference, good low frequency performance, can be used for high current equipment.

Technical Data

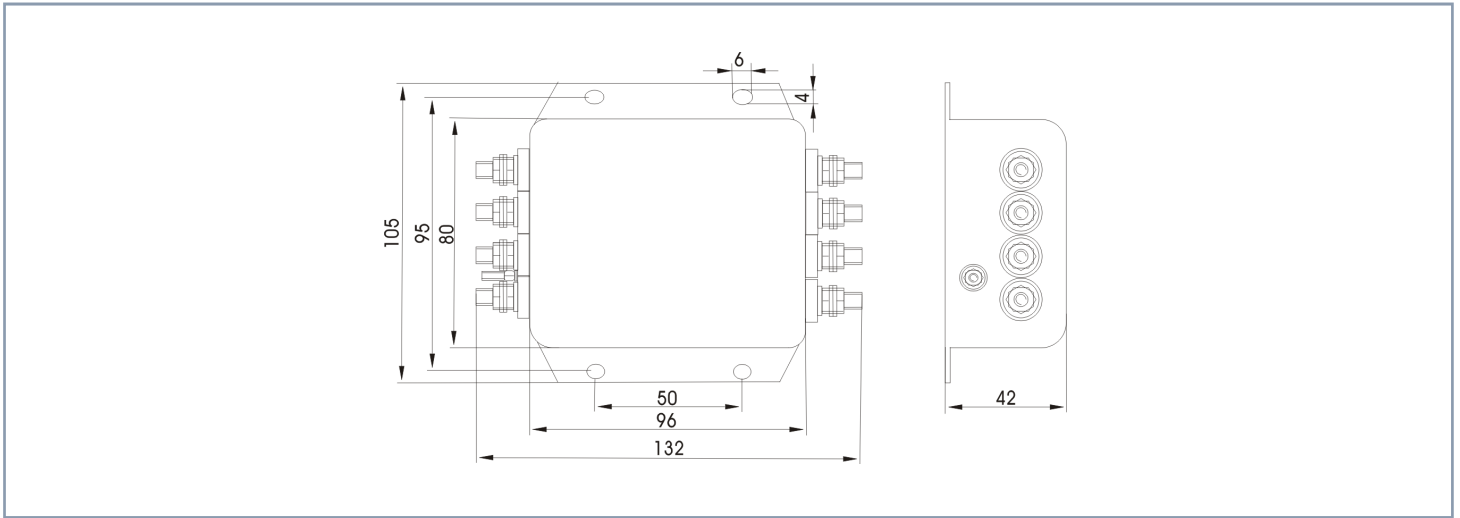
Rated Voltage	380/440VAC
Line Frequency	50/60Hz
Test Voltage	1500VDC (line/line) 2750VAC (line/ground)
Insulation Resistance	>50M @500VDC
Temperature Rise	<30
Climatic Category	25/085/21
Housing Material	Nickel-plated iron

Typical Circuit Diagram



Part No	Rated Current	Rated Current	Case Type	Termination		Safety Certification	Remark
				Input	Output		
DAC41-6A	6A	<2.0mA	C41	Bolt	Bolt	CE, ROHS	Parameter customization
DAC41-10A	10A	<2.0mA	C41	Bolt	Bolt		
DAC41-20A	20A	<3.0mA	C41	Bolt	Bolt		
DAC41-30A	30A	<3.0mA	C41	Bolt	Bolt		

Overall Dimension (±1mm)



Insertion loss

———— Common mode - - - - - Di fference modu le

