



Product information

Three-phase four-wire AC filter-DAC41-D

Description

Simple installation, bolt connection, customizable, single-pole filter circuit design, strong anti-interference, good low frequency performance, can be used for high current equipment.

Technical Data

Rated Voltage	380/440VAC
Line Frequency	50/60Hz
Test Voltage	1500VDC (line/line) 2750VAC (line/ground)
Insulation Resistance	>50M @500VDC
Temperature Rise	<30
Climatic Category	25/085/21
Housing Material	Nickel-plated iron

Approval & Compliance



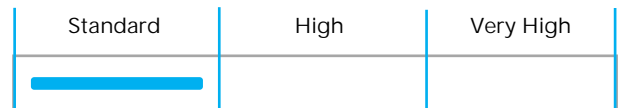
Features

- Rated current : 6A-30A
- Strong anti-jamming
- Simple installation, terminal station connection
- Can be customized upon request

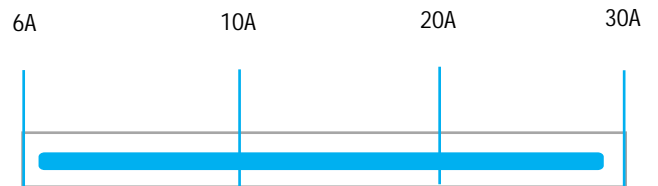
Applications

- Switching power supply
- General electronic equipment
- Power equipment such as UPS
- Power monitoring equipment
- Measuring equipment

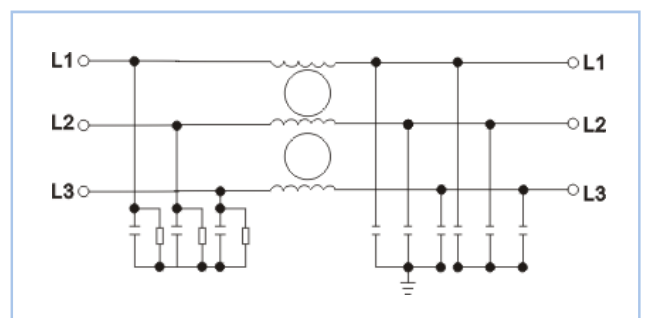
Performance Indicator



Rated Current [A]

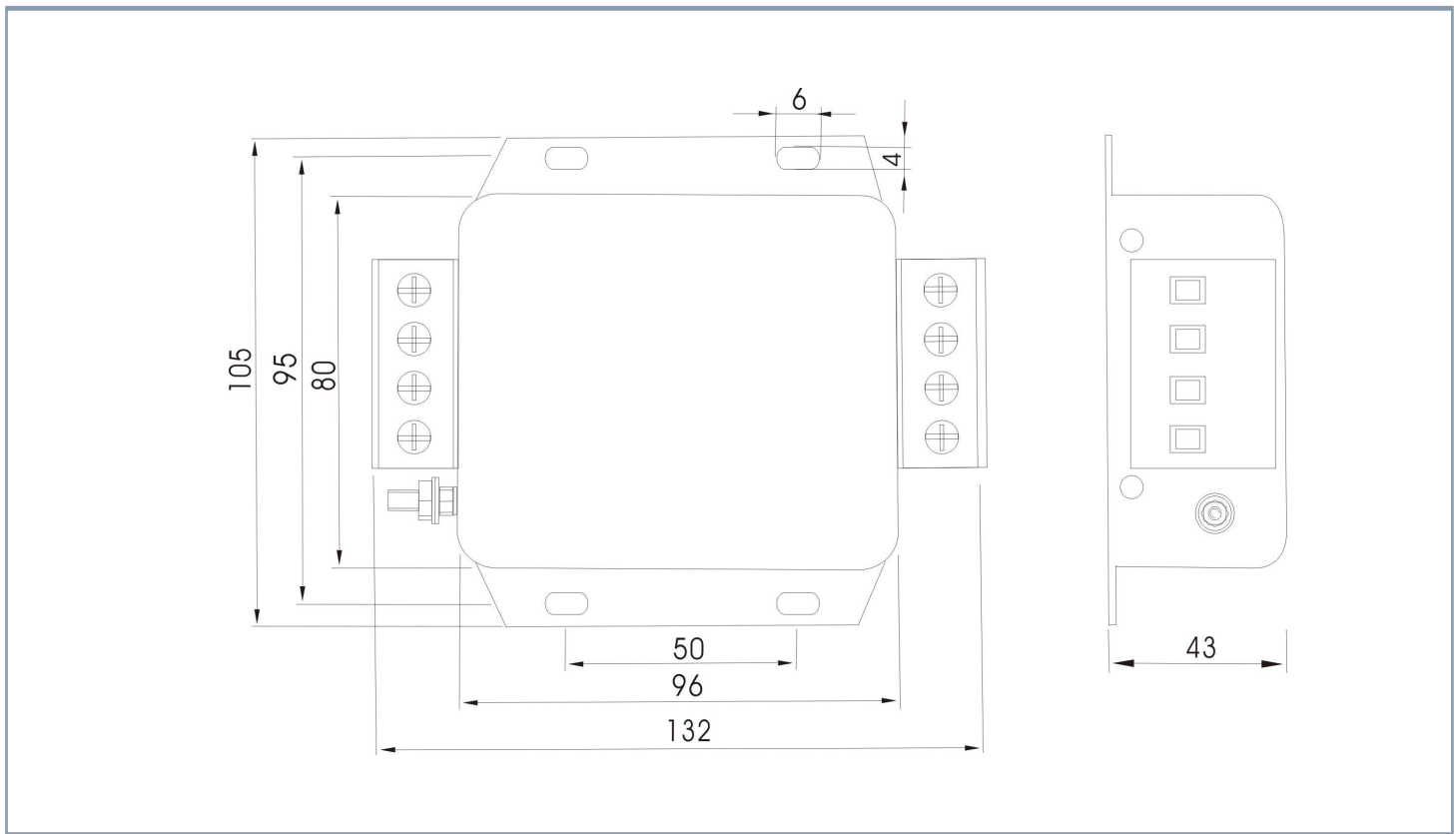


Typical Circuit Diagram



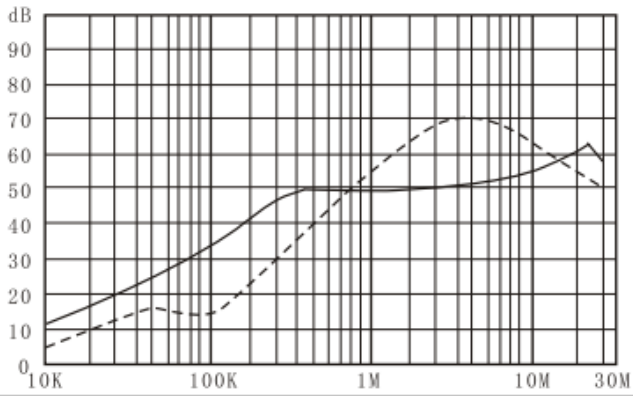
Part No	Rated Current	Rated Current	Case Type	Termination		Safety Certification	Remark
				Input	Output		
DAC41-D-6A	6A	<2.0mA	C41	Bolt	Bolt	CE, ROHS	Parameter customization
DAC41-D-10A	10A	<2.0mA	C41	Bolt	Bolt		
DAC41-D-20A	20A	<3.0mA	C41	Bolt	Bolt		
DAC41-D-30A	30A	<3.0mA	C41	Bolt	Bolt		

Overall Dimension (±1mm)

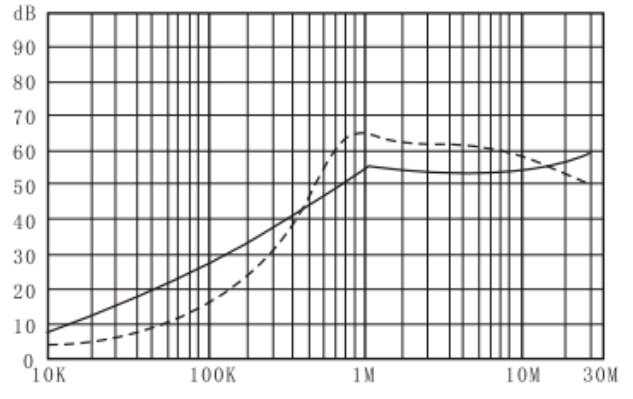


Insertion loss

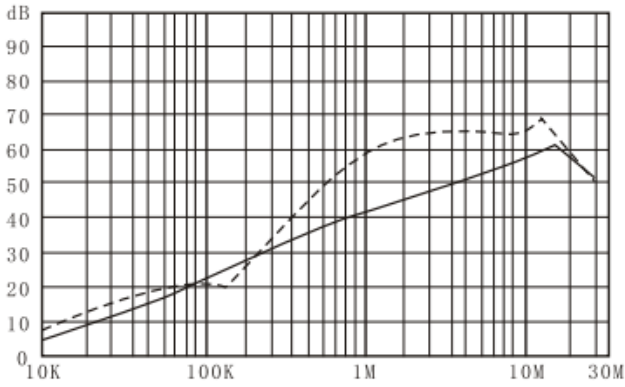
———— Common mode - - - - - Difference module



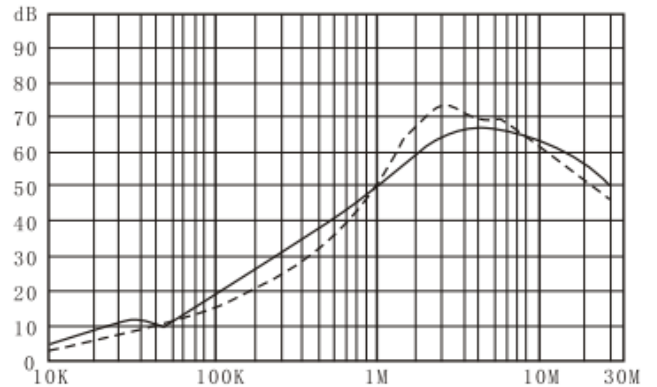
DAC41-D-6A



DAC41-D-10A



DAC41-D-20A



DAC41-D-30A