



Product information

# Three-phase three-wire AC filter-DAC6-D

## Description

Simple installation, bolt connection, customizable, single-pole filter circuit design, strong anti-interference, good low frequency performance, can be used for high current equipment.

## Technical Data

Rated Voltage	380/440VAC
Line Frequency	50/60Hz
Test Voltage	1500VDC (line/line) 2750VAC (line/ground)
Insulation Resistance	>50M @500VDC
Temperature Rise	<30
Climatic Category	25/085/21
Housing Material	Nickel-plated iron

## Approval & Compliance



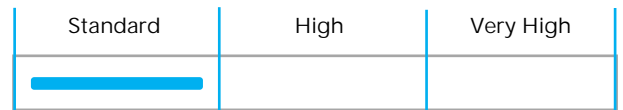
## Features

- Rated current : 80A-200A
- Strong anti-jamming
- Simple installation, terminal station connection
- Can be customized upon request

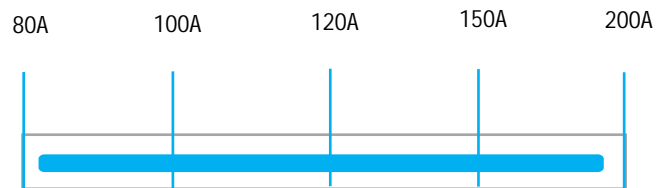
## Applications

- Switching power supply
- General electronic equipment
- Power equipment such as UPS
- Power monitoring equipment
- Measuring equipment

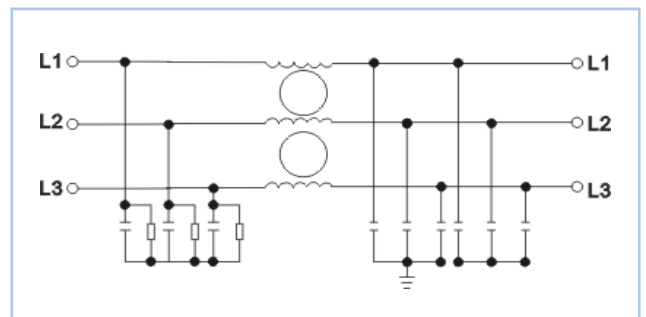
## Performance Indicator



## Rated Current [A]

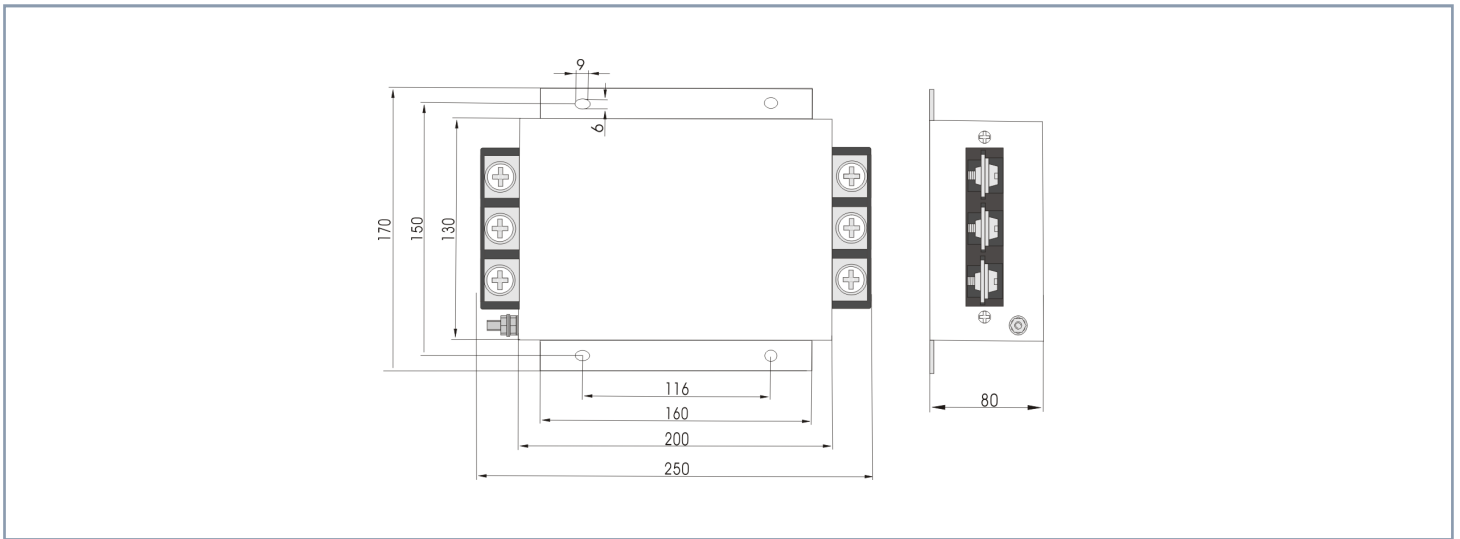


## Typical Circuit Diagram



Part No	Rated Current	Rated Current	Case Type	Termination		Safety Certification	Remark
				Input	Output		
DAC6-80A-D	80A	<2.0mA	C6	Bolt	Bolt	CE, ROHS	Parameter customization
DAC6-100A-D	100A	<2.0mA	C6	Bolt	Bolt		
DAC6-120A-D	120A	<5.0mA	C6	Bolt	Bolt		
DAC6-150A-D	150A	<8.0mA	C6	Bolt	Bolt		
DAC6-200A-D	200A	<8.0mA	C6	Bolt	Bolt		

**Overall Dimension ( ±1mm)**



**Insertion loss**

———— Common mode    - - - - - Di fference modul e

