



Product information

# Three-phase three-wire AC filter-DAC6

## Description

Simple installation, bolt connection, customizable, single-pole filter circuit design, strong anti-interference, good low frequency performance, can be used for high current equipment.

## Technical Data

|                       |                                              |
|-----------------------|----------------------------------------------|
| Rated Voltage         | 380/440VAC                                   |
| Line Frequency        | 50/60Hz                                      |
| Test Voltage          | 1500VDC (line/line)<br>2750VAC (line/ground) |
| Insulation Resistance | >50M @500VDC                                 |
| Temperature Rise      | <30                                          |
| Climatic Category     | 25/085/21                                    |
| Housing Material      | Nickel-plated iron                           |

## Approval & Compliance



## Features

- Rated current : 80A-200A
- Low frequency performance is good, can be used for high current equipment
- Can be customized upon request

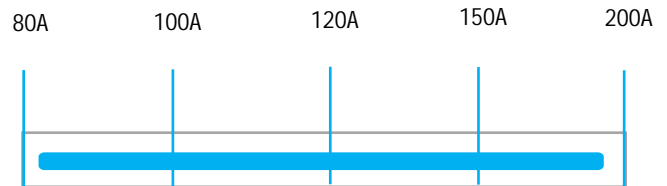
## Applications

- Switching power supply
- General electronic equipment
- Power equipment such as UPS
- Power monitoring equipment
- Measuring equipment

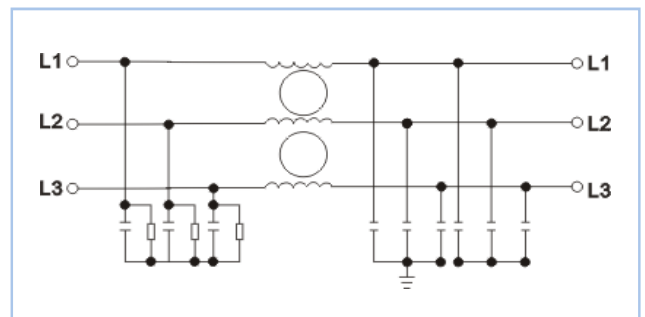
## Performance Indicator



## Rated Current [A]

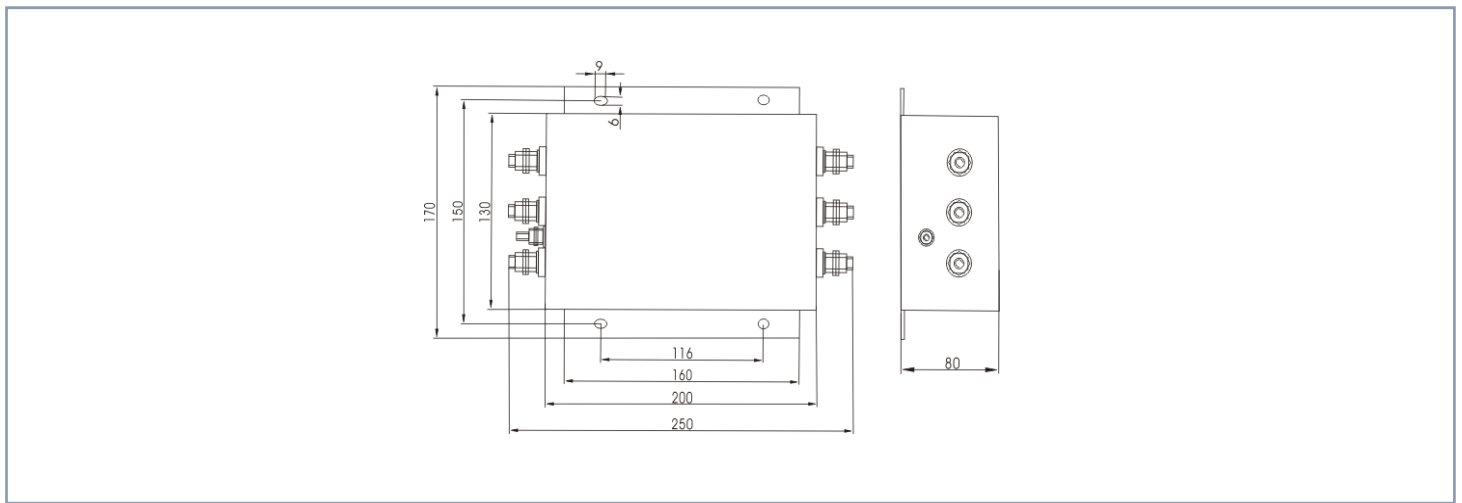


## Typical Circuit Diagram



| Part No   | Rated Current | Rated Current | Case Type | Termination |        | Safety Certification | Remark                  |
|-----------|---------------|---------------|-----------|-------------|--------|----------------------|-------------------------|
|           |               |               |           | Input       | Output |                      |                         |
| DAC6-80A  | 80A           | <2.0mA        | C6        | Bolt        | Bolt   | CE, ROHS             | Parameter customization |
| DAC6-100A | 100A          | <2.0mA        | C6        | Bolt        | Bolt   |                      |                         |
| DAC6-120A | 120A          | <5.0mA        | C6        | Bolt        | Bolt   |                      |                         |
| DAC6-150A | 150A          | <8.0mA        | C6        | Bolt        | Bolt   |                      |                         |
| DAC6-200A | 200A          | <8.0mA        | C6        | Bolt        | Bolt   |                      |                         |

Overall Dimension ( ±1mm)



Insertion loss

———— Common mode    - - - - - Di fference modul e

