



Approval & Compliance



Features

Rated current : 12A-16A

Small size, easy to install

The connection is made using the insert mode

Can be customized upon request

Applications

Electrical appliances, testing equipment

Medical equipment

Grid control system

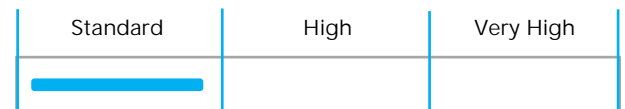
Laser cutting equipment

City security monitoring system and so on

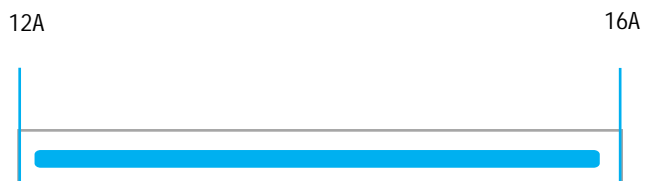
Product information

EMI Single-phase universal filter-DBA4

Performance Indicator



Rated Current [A]



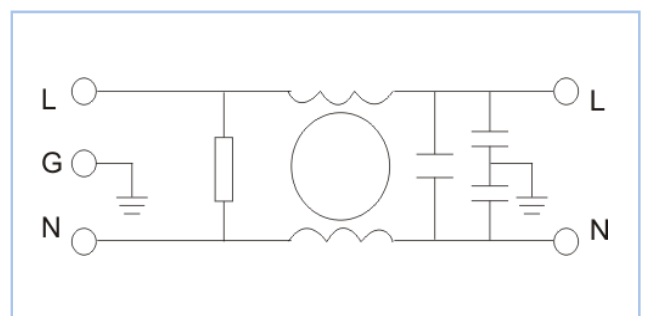
Description

Small size, easy to install, is a general filter, the use of insert link can be customized, with strong anti-interference, relatively stable performance, a wide range of features.

Technical Data

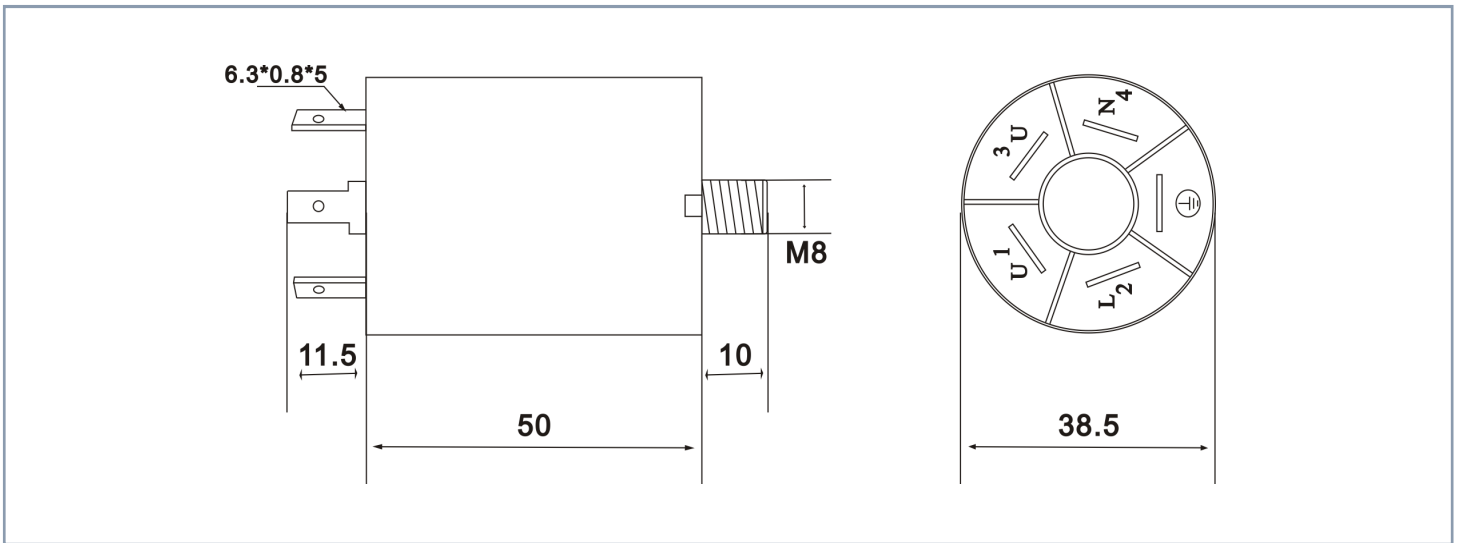
Rated Voltage	115/250VAC
Line Frequency	50/60Hz
Test Voltage	1500VDC (line/line) 2150VAC (line/ground)
Insulation Resistance	>50M @500VDC
Temperature Rise	<30
Climatic Category	25/085/21
Housing Material	Nickel-plated iron

Typical Circuit Diagram



Part No	Rated Current	Rated Current	Case Type	Termination		Safety Certification	Remark
				Input	Output		
DBA4-12A	12A	<0.5mA	A4	Bolts/Lnserts	Bolts/Lnserts	CE, ROHS	Parameter customization
DBA4-16A	16A	<0.5mA	A4	Bolts/Lnserts	Bolts/Lnserts		

Overall Dimension (±1mm)



Insertion loss

———— Common mode - - - - - Difference module

