

## Approval & Compliance



### Features

- Rated current : 40A-100A
- Universal filter
- Widely used
- Can be customized upon request

### Applications

- Electrical appliances, testing equipment
- Electronic equipment
- Various disinfection and purification equipment
- Laser cutting equipment
- Autonomous robots and so on

### Product information

# EMI Single-phase universal filter-DBA7

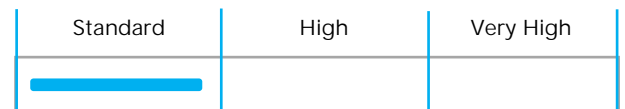
## Description

Small size, easy to install, is a general filter, using bolt connection, can be customized, with strong anti-interference, stable performance, a wide range of features.

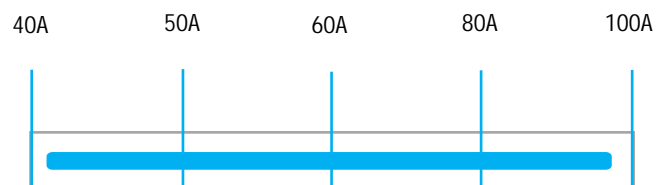
## Technical Data

Rated Voltage	115/250VAC
Line Frequency	50/60Hz
Test Voltage	1500VDC (line/line) 2150VAC (line/ground)
Insulation Resistance	>50M @500VDC
Temperature Rise	<30
Climatic Category	25/085/21
Housing Material	Nickel-plated iron

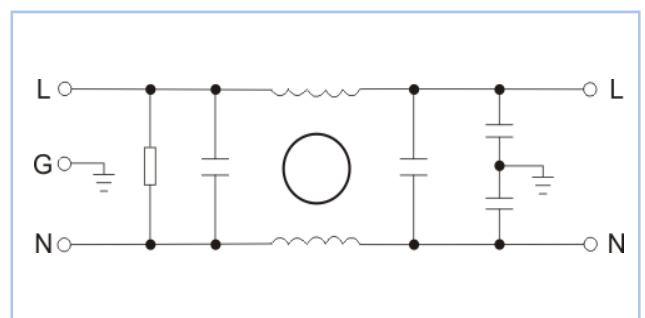
### Performance Indicator



### Rated Current [A]

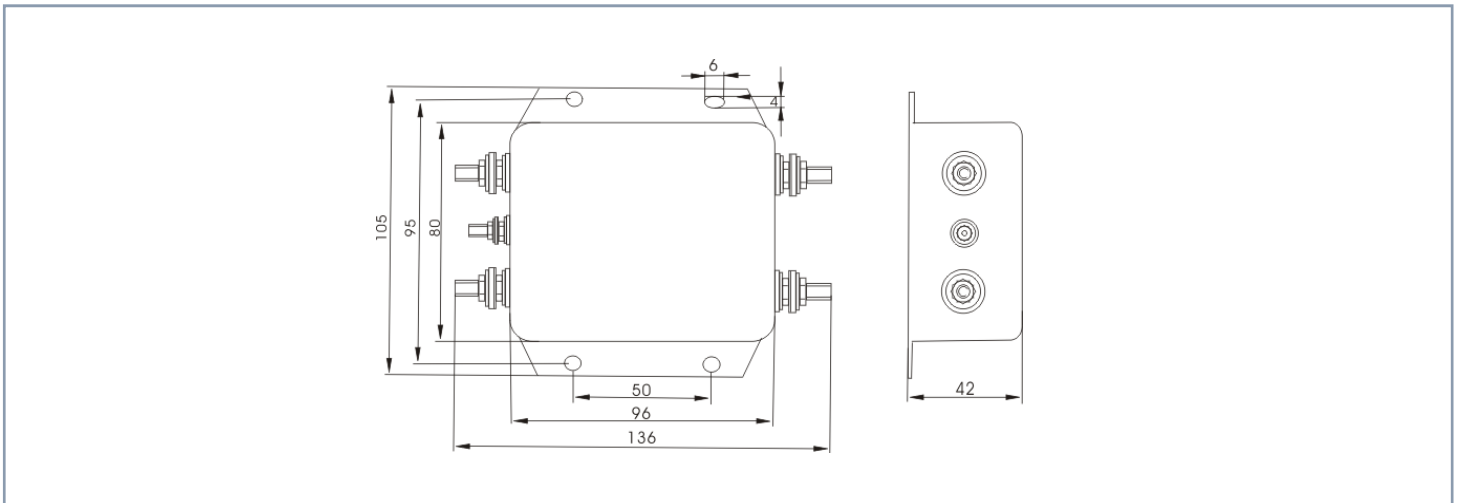


### Typical Circuit Diagram



Part No	Rated Current	Rated Current	Case Type	Termination		Safety Certification	Remark
				Input	Output		
DBA7-40A	40A	<2.0mA	A7	Bolt	Bolt	CE CQC, ROHS	Parameter customization
DBA7-50A	50A	<2.0mA	A7	Bolt	Bolt		
DBA7-60A	60A	<2.0mA	A7	Bolt	Bolt		
DBA7-80A	80A	<2.0mA	A7	Bolt	Bolt		
DBA7-100A	100A	<2.0mA	A7	Bolt	Bolt		

### Overall Dimension ( ±1mm)



### Insertion loss

———— Common mode    - - - - - Difference module

