



Product information

Inverter special filter-DF2

Description

Simple installation, bolt connection, customizable, single-pole filter circuit design, strong anti-interference, good low frequency performance, can be used for high current equipment.

Technical Data

Rated Voltage	250/440VAC
Line Frequency	50/60Hz
Test Voltage	1500VDC (line/line) 2250VAC (line/ground)
Insulation Resistance	>50M @500VDC
Temperature Rise	<30
Climatic Category	25/085/21
Housing Material	Nickel-plated iron

Approval & Compliance



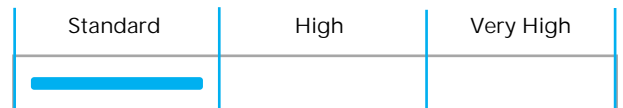
Features

- Rated current : 15A-50A
- Simple installation, using bolt connection mode
- Three-pole filter circuit design, strong anti-interference
- Can be customized upon request

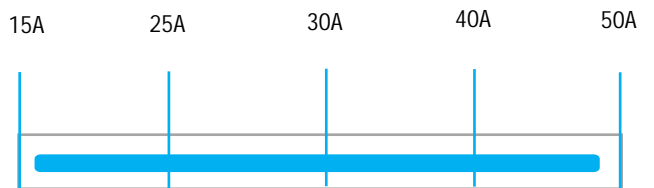
Applications

- Variable frequency speed control system inverter
- Lifting system
- Servo system

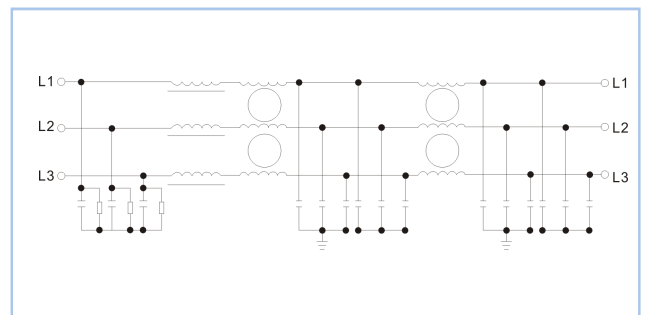
Performance Indicator



Rated Current [A]

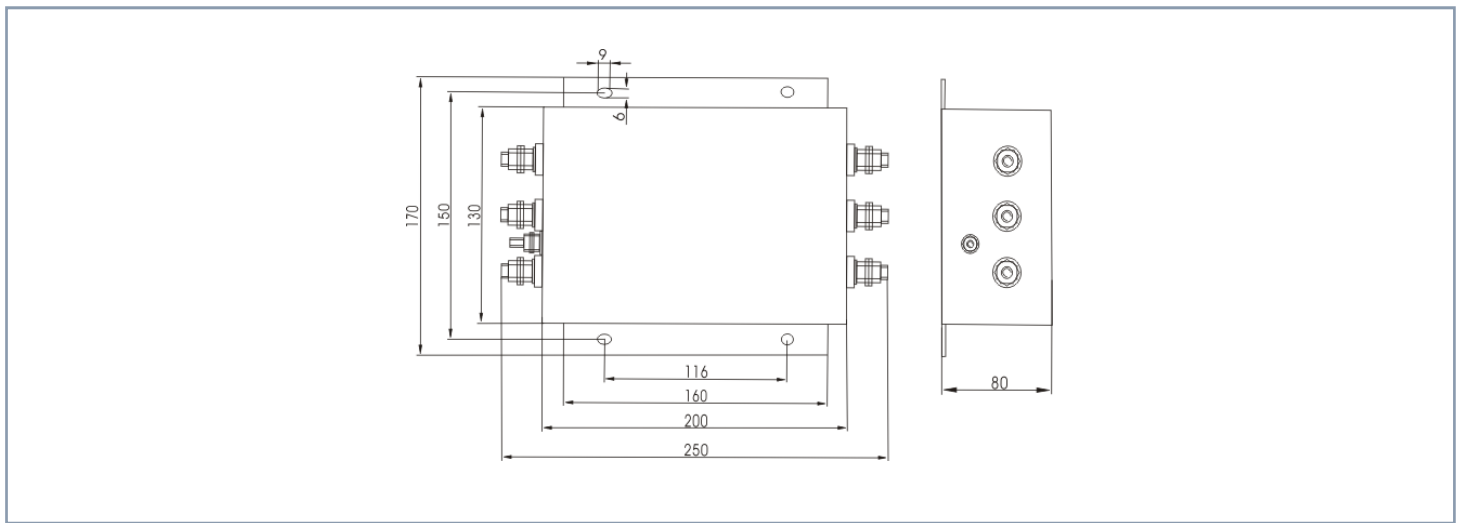


Typical Circuit Diagram



Part No	Rated Current	Rated Current	Case Type	Termination		Safety Certification	Remark
				Input	Output		
DF2-15A	15A	<2.0mA	F2	Bolt	Bolt	CE, ROHS	Parameter customization
DF2-25A	25A	<2.0mA	F2	Bolt	Bolt		
DF2-30A	30A	<5.0mA	F2	Bolt	Bolt		
DF2-40A	40A	<8.0mA	F2	Bolt	Bolt		
DF2-50A	50A	<8.0mA	F2	Bolt	Bolt		

Overall Dimension (±1mm)



Insertion loss

———— Common mode - - - - - Difference module

