



Type C3D(V)DC-Link capacitor for Automotive (105°C)



■ Features

Metallized polypropylene segmented film structure

Excellent electric property: Low ESL & Low ESR、Self-healing 、 Long lifetime

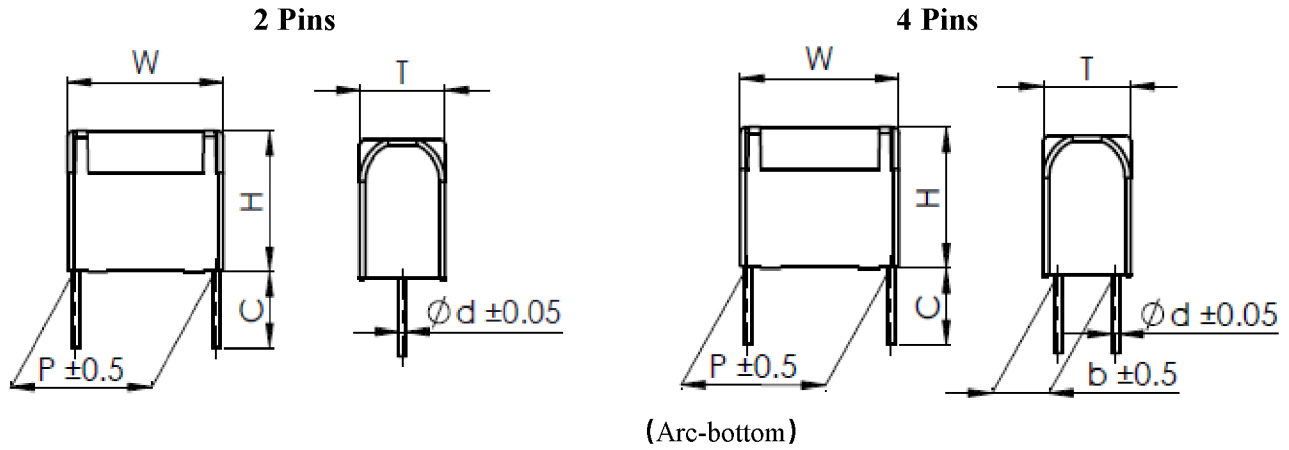
Plastic case (UL94 V-0), filled with flame retardant epoxy resin

■ Specifications

Reference Standard	GB/T17702(IEC 61071) , AEC-Q200D-2010
Climatic Category	40/ 105 /56
Operating temperature (case)	-40C° ~ 105C° ($\theta_{hs} \leq 105^{\circ}\text{C}$)
Voltage Range	450Vdc~1 000Vdc
Capacitance Range	1.0uF ~ 160uF
Capacitance Tolerance	J ($\pm 5\%$), K ($\pm 10\%$)
Voltage Proof	1.5U _N (10s)
Insulation Resistance (IR×C _N)	$\geq 10\ 000\text{s}$ (20C°, 100V, 1min)
过电压 Over Voltage	1.1U _N (30% of on-load-dur.)
	1.15 U _N (30min/day)
	1.2 U _N (5min/day)
	1.3 U _N (1min/day)
Self Inductance(Ls)	< 1nH per mm of lead spacing
Maximum peak current \hat{i} (A)	$\hat{i} = C \cdot dV/dt$
Expected lifetime	100 000h at U _N , $\theta_{hs} = 70\text{C}^{\circ}$



Dimensions draft



Standard product

600Vdc							
C _N (μF)	W	H	T	P	b	d	Part number
5	32.0	28.0	14.0	27.5	-	0.8	D3D1U505+BV0C00***
14	41.0	33.5	18.5	37.5	-	1.0	D3D1U146+FV0C00***
70	57.0	50.0	35.0	52.5	20.3	1.2	D3D1U706+MVAC00***

800Vdc							
C _N (μF)	W	H	T	P	b	d	Part number
4	32.0	28.0	17.0	27.5	-	0.8	D3D2K405+BV0C00***
15	41.0	37.0	22.0	37.5	-	1.0	D3D2K156+FV0C00***
63	57.0	50.0	40.0	52.5	20.3	1.2	D3D2K636+MVAC00***

Note: Other specifications can be contacted with the Engineer

Lifetime expectancy (typical curve)

