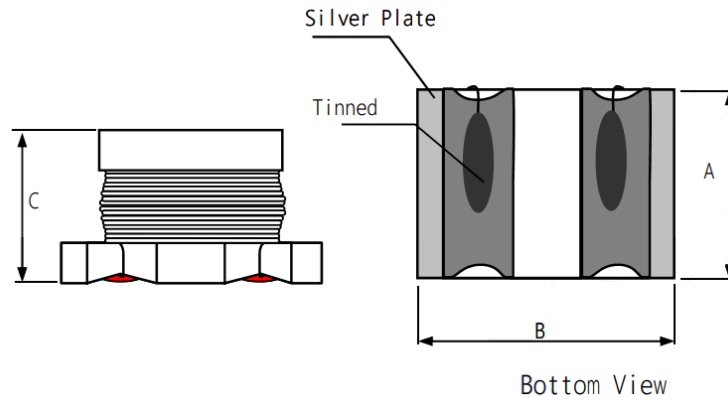


Силовая SMD индуктивность SMT4532



| A (мм) | B (мм) | C (мм) |
|---------------|---------------|---------------|
| 2.6 ± 0.3 | 4.5 ± 0.3 | 3.4 ± 0.3 |

| Серия | Индуктивность (мкГн) | Сопротивление (Ом) | Номинальный ток макс. (А) |
|--------------|----------------------|--------------------|---------------------------|
| SMT4532-1R0M | $1.0 \pm 20\%$ | 0.035 | 1.00 |
| SMT4532-1R5M | $1.5 \pm 20\%$ | 0.080 | 1.25 |
| SMT4532-2R2M | $2.2 \pm 20\%$ | 0.100 | 1.20 |
| SMT4532-3R3K | $3.3 \pm 10\%$ | 0.076 | 1.10 |
| SMT4532-3R3M | $3.3 \pm 20\%$ | 0.076 | 1.10 |
| SMT4532-3R9K | $3.9 \pm 10\%$ | 0.085 | 1.10 |
| SMT4532-4R7K | $4.7 \pm 10\%$ | 0.105 | 1.05 |
| SMT4532-4R7M | $4.7 \pm 20\%$ | 0.105 | 1.05 |
| SMT4532-5R6K | $5.6 \pm 10\%$ | 0.120 | 1.00 |
| SMT4532-6R8K | $6.8 \pm 10\%$ | 0.141 | 0.95 |
| SMT4532-6R8M | $6.8 \pm 20\%$ | 0.141 | 0.95 |
| SMT4532-100M | $10 \pm 20\%$ | 0.260 | 0.70 |
| SMT4532-100K | $10 \pm 10\%$ | 0.300 | 0.70 |
| SMT4532-150K | $15 \pm 10\%$ | 0.450 | 0.60 |
| SMT4532-180K | $18 \pm 10\%$ | 0.420 | 0.55 |
| SMT4532-220K | $22 \pm 10\%$ | 0.600 | 0.45 |
| SMT4532-270K | $27 \pm 10\%$ | 0.800 | 0.40 |
| SMT4532-330K | $33 \pm 10\%$ | 0.950 | 0.40 |
| SMT4532-390K | $39 \pm 10\%$ | 0.700 | 0.45 |
| SMT4532-470K | $47 \pm 10\%$ | 0.986 | 0.35 |
| SMT4532-560K | $56 \pm 10\%$ | 1.300 | 0.30 |
| SMT4532-680K | $68 \pm 10\%$ | 2.200 | 0.20 |
| SMT4532-101K | $100 \pm 10\%$ | 2.140 | 0.25 |
| SMT4532-151K | $150 \pm 10\%$ | 3.200 | 0.22 |
| SMT4532-151J | $150 \pm 5\%$ | 3.200 | 0.20 |
| SMT4532-221K | $220 \pm 10\%$ | 5.070 | 0.15 |
| SMT4532-271K | $270 \pm 10\%$ | 5.700 | 0.28 |
| SMT4532-301K | $300 \pm 10\%$ | 6.800 | 0.12 |
| SMT4532-331K | $330 \pm 10\%$ | 8.300 | 0.12 |
| SMT4532-681J | $680 \pm 5\%$ | 15.000 | 0.07 |

Погрешность индуктивности : S= $\pm 0.3nH$, G= $\pm 2\%$, J= $\pm 5\%$, K= $\pm 10\%$, L= $\pm 15\%$, M= $\pm 20\%$

