

DESCRIPTION:

SCD105-221K

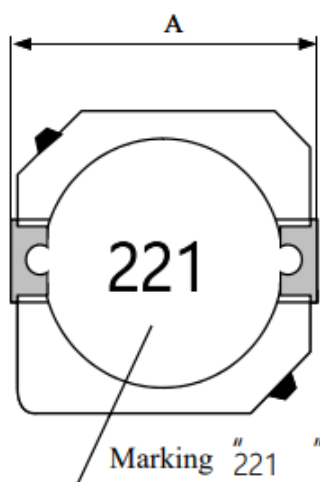
PAGE: 1

VERSION:A

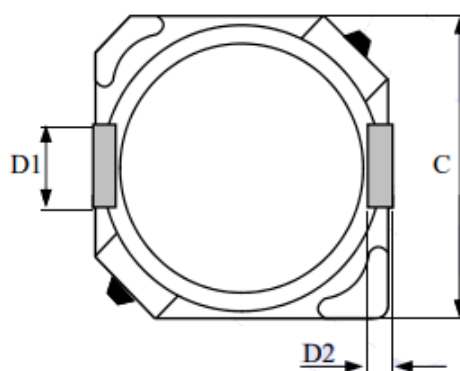
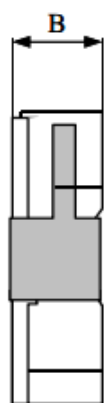
Compliant RoHS

SPECIFICATION

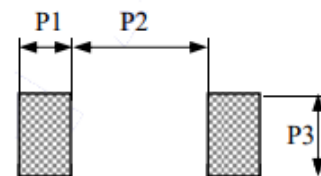
DIMENSION: mm



Top View



Bottom View



A	B	C	D1	D2	P1	P2	P3
11.0 max	5.5 max	11.0 max	3.0±0.2	1.2±0.2	2.0	7.0	3.5

INDUCTANCE CH-100LCR/f=1KHz/0.25V	DCR at 25°C CH-502AC	DCI CH-301A +CH-100LCR	WIRE UEW	TURNS (Ref)	Rated Current (A)max
220µH±10%	0.56Ωmax	L0.84A ≥ L0A×70%	Ø0.22mm	44	0.84