

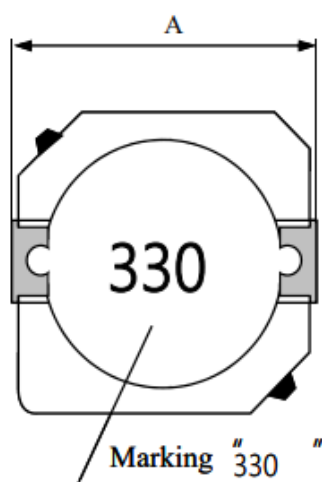
**DESCRIPTION:**

SCD105-330M

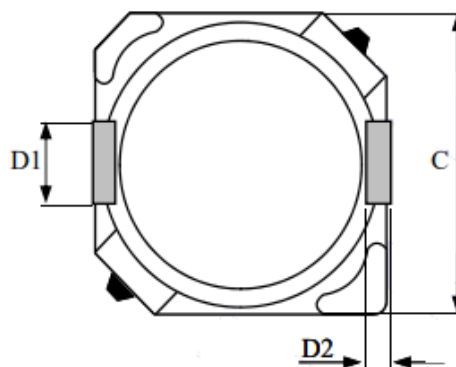
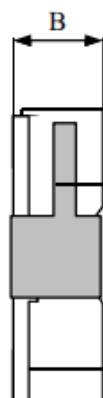
**VERSION:**A**PAGE:** 1/2SPECIFICATION

Compliant RoHS

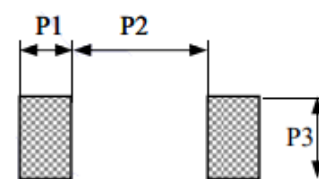
DIMENSION: mm



Top View



Bottom View



A	B	C	D1	D2	P1	P2	P3
11.0 max	5.5 max	11.0 max	3.0±0.2	1.2±0.2	2.0	7.0	3.5

ELECTRONIC CHARACTERISTICS

INDUCTANCE CH-100LCR/f=1KHz/0.25V	DCR at 25°C CH-502AC	DCI CH-301A +CH-100LCR	WIRE 1UEW	TURNS (Ref)	Rated Current (A)max
33µH±20%	102mΩmax	L2.4A ≥ L0A×70%	Ø0.35mm	17	2.4