



Product information

Three-phase four-wire AC filter-DAC42-D

Description

Simple installation, bolt connection, customizable, single-pole filter circuit design, strong anti-interference, good low frequency performance, can be used for high current equipment.

Technical Data

Rated Voltage	380/440VAC
Line Frequency	50/60Hz
Test Voltage	1500VDC (line/line) 2750VAC (line/ground)
Insulation Resistance	>50M @500VDC
Temperature Rise	<30
Climatic Category	25/085/21
Housing Material	Nickel-plated iron

Approval & Compliance



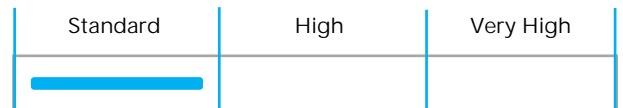
Features

- Rated current : 40A-80A
- Easy to install
- Single-pole filter circuit design, strong anti-interference
- Can be customized upon request

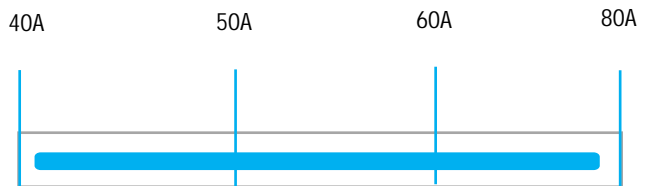
Applications

- Switching power supply
- General electronic equipment
- Power equipment such as UPS
- Power monitoring equipment
- Measuring equipment

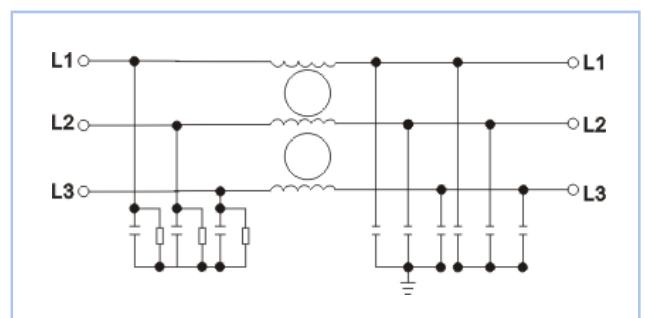
Performance Indicator



Rated Current [A]

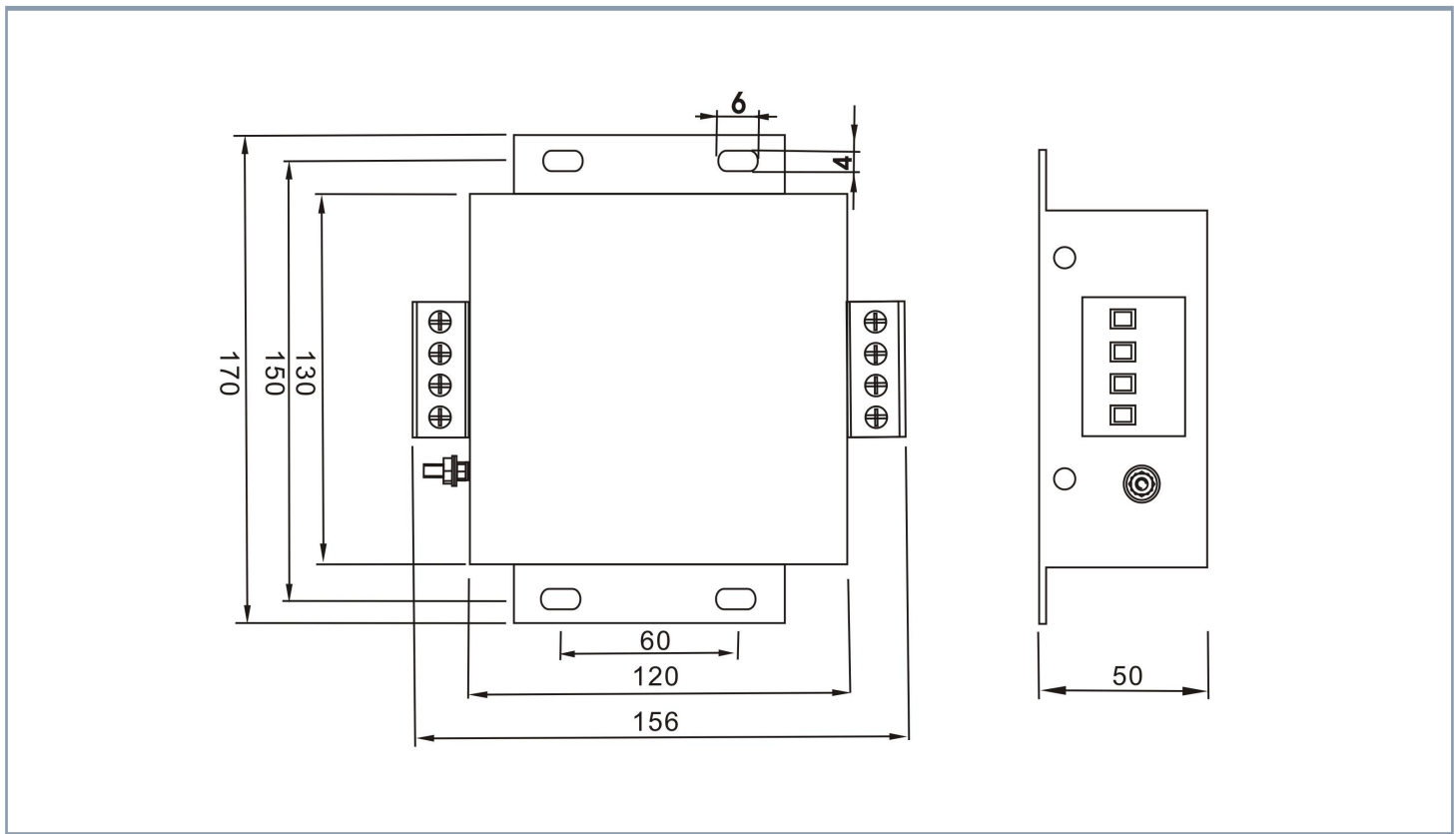


Typical Circuit Diagram



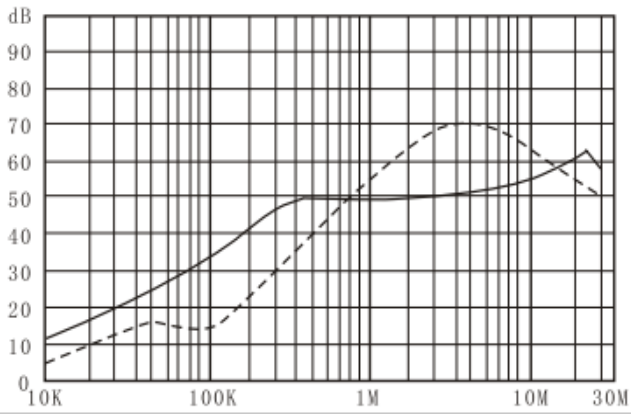
Part No	Rated Current	Rated Current	Case Type	Termination		Safety Certification	Remark
				Input	Output		
DAC42-40A-D	40A	<3.0mA	C42	Bolt	Bolt	CE, ROHS	Parameter customization
DAC42-50A-D	50A	<5.0mA	C42	Bolt	Bolt		
DAC42-60A-D	60A	<5.0mA	C42	Bolt	Bolt		
DAC42-80A-D	80A	<10.0mA	C42	Bolt	Bolt		

Overall Dimension (±1mm)

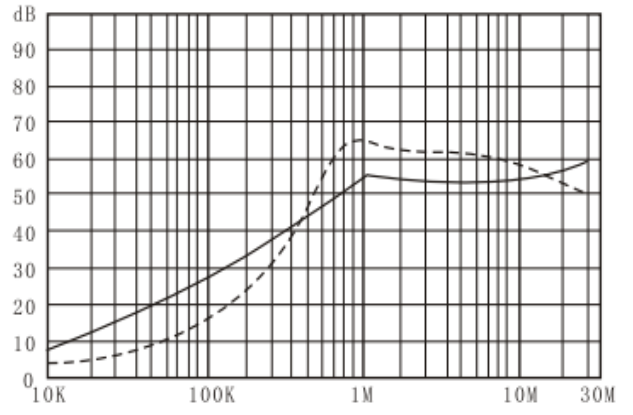


Insertion loss

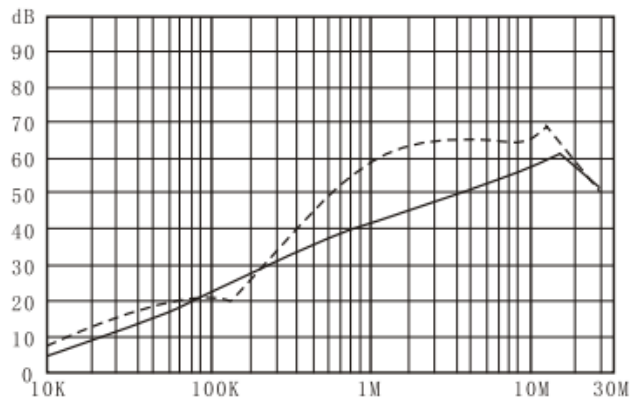
———— Common mode - - - - - Difference mode



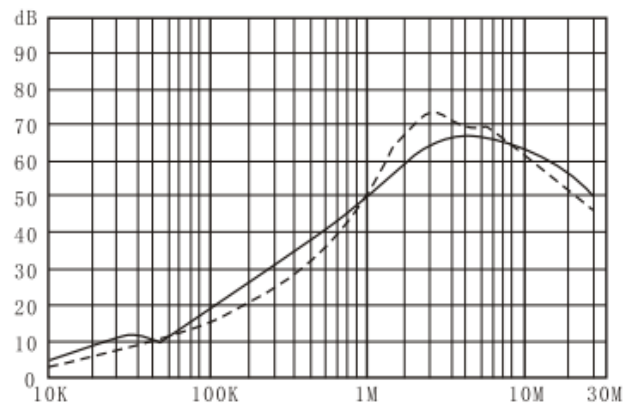
DAC42-40A



DAC42-50A



DAC42-60A



DAC42-80A