

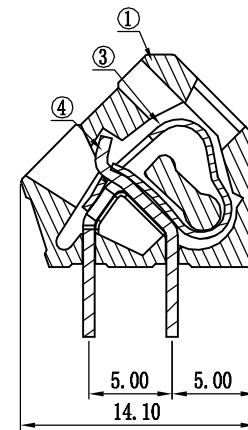
TOP VIEW-LAYOUT

Notes:

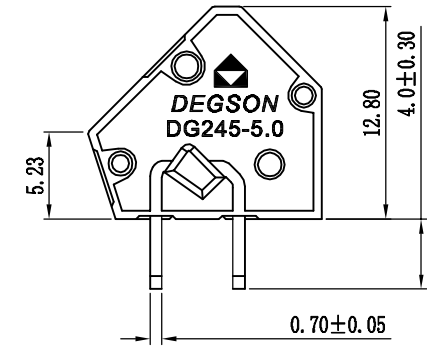
1. Pitch:7.5mm ,Poles:XXP
2. Rated voltage/current:UL 300V/15A
VDE 750V/17A
3. Operation temperatures:-40℃~+105℃
4. Withstanding Voltage:AC2000V/1Min
5. Insulation Resistance:5000MΩ/DC1000V
6. Wire Range:28~12AWG, 2.5mm²
7. Undimensioned Tolerances:

REVISION RECORD				
REV	ECD	DESCRIPTION	DRFT	DATE
△		图面更新	WF	01/31/07*
△		增加UL刻字	CSX	07/27/07*
△		品名、料号增加环保标示“(H)”	LJH	12/08/07*
△		修改参数	Zengy	12/20/08*
△	10-0080	增加“VDE”刻字及参数	Jinbai, Lan	04/16/10*

Pitch range in mm		Nominal dimension range in mm					
to	over	over	over	over	over		
6	6 to 10	10 to 24	30 to 60	60 to 100	100 to 150	150	
±0.10	±0.15	±0.25	±0.2±0.3	±0.5	±0.7	±1.0	0.005



SECTION A-A



5	DG245-7.5-Clapboard	3025H0Y01A (H)	XX-1	PA66	UL94V-0
4	DG245 Pin header	3025B00010 (H)	XX	Phosphor bronze	SnCe
3	DG242 Spring	X000000990 (H)	XX	Stainless steel	
2	DG245-5.0-COVER	3025C0Y01A (H)	1	PA66	UL94V-0
1	DG245-5.0-HOUSING	3025A0Y01A (H)	XX	PA66	UL94V-0

ITEM	NAME OF PART	NO. OF PART	Q'TY	MATERIAL	NOTES																																	
<table border="1"> <tr> <td rowspan="4">DETACHED LISTS</td> <td>MM (INCH)</td> <td>DRFT LYK</td> <td>DATE 12/13/06*</td> </tr> <tr> <td>TOLERANCES EXCEPT AS NOTED</td> <td>CHKD</td> <td>DATE</td> </tr> <tr> <td></td> <td>MFD</td> <td>DATE</td> </tr> <tr> <td></td> <td>APPVL</td> <td>DATE</td> </tr> <tr> <td>MM</td> <td>±</td> <td colspan="2">MATERIAL :</td> </tr> <tr> <td>.0 ±</td> <td>±</td> <td colspan="2">G.E :</td> </tr> <tr> <td>.00 ±</td> <td>±</td> <td colspan="2">FINISH:</td> </tr> <tr> <td>.000 ±</td> <td>±</td> <td colspan="2">SCALE :</td> </tr> <tr> <td colspan="2">ANGLES ± 1°</td> <td colspan="2">THIRD ANGLE PROJECTION</td> </tr> </table>						DETACHED LISTS	MM (INCH)	DRFT LYK	DATE 12/13/06*	TOLERANCES EXCEPT AS NOTED	CHKD	DATE		MFD	DATE		APPVL	DATE	MM	±	MATERIAL :		.0 ±	±	G.E :		.00 ±	±	FINISH:		.000 ±	±	SCALE :		ANGLES ± 1°		THIRD ANGLE PROJECTION	
DETACHED LISTS	MM (INCH)	DRFT LYK	DATE 12/13/06*																																			
	TOLERANCES EXCEPT AS NOTED	CHKD	DATE																																			
		MFD	DATE																																			
		APPVL	DATE																																			
MM	±	MATERIAL :																																				
.0 ±	±	G.E :																																				
.00 ±	±	FINISH:																																				
.000 ±	±	SCALE :																																				
ANGLES ± 1°		THIRD ANGLE PROJECTION																																				
<table border="1"> <tr> <td colspan="2" rowspan="2"> 宁波高正电子有限公司 DEGSON ELECTRONICS CO., LTD </td> <td colspan="2">NAME</td> </tr> <tr> <td colspan="2">DG245-7.5-XXP-1Y-00A(H)</td> </tr> <tr> <td colspan="2">DRAWING NO. DG245-7.5-E01</td> <td>SIZE</td> <td>REV</td> </tr> <tr> <td colspan="2">/PART NO.</td> <td>A3</td> <td>T5</td> </tr> <tr> <td colspan="2">DO NOT SCALE DRAWING</td> <td>SHEET 1</td> <td>OF 1</td> </tr> </table>						宁波高正电子有限公司 DEGSON ELECTRONICS CO., LTD		NAME		DG245-7.5-XXP-1Y-00A(H)		DRAWING NO. DG245-7.5-E01		SIZE	REV	/PART NO.		A3	T5	DO NOT SCALE DRAWING		SHEET 1	OF 1															
宁波高正电子有限公司 DEGSON ELECTRONICS CO., LTD		NAME																																				
		DG245-7.5-XXP-1Y-00A(H)																																				
DRAWING NO. DG245-7.5-E01		SIZE	REV																																			
/PART NO.		A3	T5																																			
DO NOT SCALE DRAWING		SHEET 1	OF 1																																			