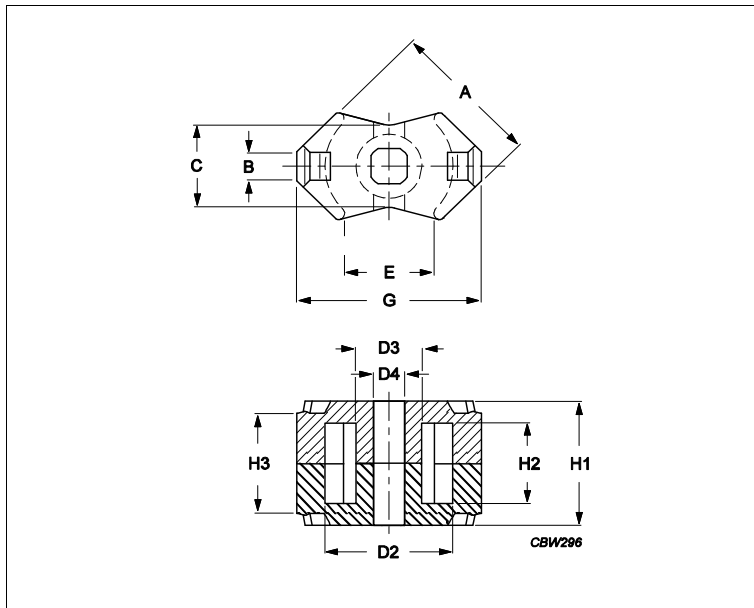


Core **RM6S**



| Effective parameters | | | |
|----------------------|------------------|-------|------------------|
| | Parameter | Value | Unit |
| $\Sigma(I/A)$ | core factor (C1) | 0.863 | mm ⁻¹ |
| Ve | effective volume | 840 | mm ³ |
| Le | effective length | 27.3 | mm |
| Ae | effective area | 31 | mm ² |
| Amin | minimum area | 23.8 | mm ² |
| m | RM6S | ≈ 5.1 | g/set |

Dimensions for product: RM6S

| | Nom | Tol + | Tol - | Max | Min | Unit |
|-----------|-------|-------|-------|-------|-------|------|
| A | 14.70 | 0.00 | 0.60 | 14.70 | 14.10 | mm |
| B | 2.80 | | | 2.80 | 2.80 | mm |
| C | 8.20 | 0.00 | 0.40 | 8.20 | 7.80 | mm |
| D2 | 12.40 | 0.50 | 0.00 | 12.90 | 12.40 | mm |
| D3 | 6.40 | 0.00 | 0.20 | 6.40 | 6.20 | mm |
| D4 | 3.00 | 0.10 | 0.00 | 3.10 | 3.00 | mm |
| E | | | | | 8.40 | mm |
| G | 17.90 | 0.00 | 0.70 | 17.90 | 17.20 | mm |
| H1 | 12.40 | 0.10 | 0.10 | 12.50 | 12.30 | mm |
| H2 | 8.00 | 0.40 | 0.00 | 8.40 | 8.00 | mm |
| H3 | 10.35 | 0.20 | 0.20 | 10.55 | 10.15 | mm |

Inductance factor

| Material | Value | Tol + | Tol - | Unit |
|----------|-------|-------|-------|-----------------------|
| 3D3 | 950 | 25% | 25% | nH/turns ² |
| 3H3 | 2100 | 25% | 25% | nH/turns ² |

Accessories

| Ordering name | Description | Ordering code |
|---------------|-----------------------|---------------|
| CLI/P-RM6 | Clip, with ground pin | 432202131787 |

Core **RM6S**

| | | |
|---------------------|--------------------------------------|--------------|
| CSV-RM6S/R-1S-4P-IZ | Coil former, termoset, vertical | 432202106891 |
| CSV-RM6S/R-2S-4P-IZ | Coil former, termoset, vertical | 432202106901 |
| CSV-RM6S-1S-4P-TZ | Coil former, termoset, vertical | 432202106241 |
| CSV-RM6S-1S-6P-G | Coil former, termoset, vertical | 432202100991 |
| CSV-RM6S-1S-6P-TZ | Coil former, termoset, vertical | 432202106261 |
| CSV-RM6S-1S-8P | Coil former, termoset, vertical | 432202100411 |
| CSV-RM6S-2S-4P-C | Coil former, termoset, vertical | 432202107401 |
| CSV-RM6S-2S-6P | Coil former, termoset, vertical | 432202134601 |
| CSV-S-RM6S-1S-8P | Coil former, termoset, vertical, SMD | 432202102901 |
| CSV-S-RM6S-1S-8P-B | Coil former, termoset, vertical, SMD | 432202103411 |
| CSV-S-RM6S-1S-8P-T | Coil former, termoset, vertical, SMD | 432202103991 |