



Product information

# Three-phase four-wire AC filter-DAC44

## Description

Simple installation, bolt connection, customizable, single-pole filter circuit design, strong anti-interference, good low frequency performance, can be used for high current equipment.

## Technical Data

Rated Voltage	380/440VAC
Line Frequency	50/60Hz
Test Voltage	1500VDC (line/line) 2750VAC (line/ground)
Insulation Resistance	>50M @500VDC
Temperature Rise	<30
Climatic Category	25/085/21
Housing Material	Nickel-plated iron

## Approval & Compliance



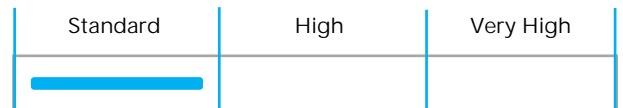
## Features

- Rated current : 100A-200A
- Easy to install
- Single-pole filter circuit design, strong anti-interference
- Can be customized upon request

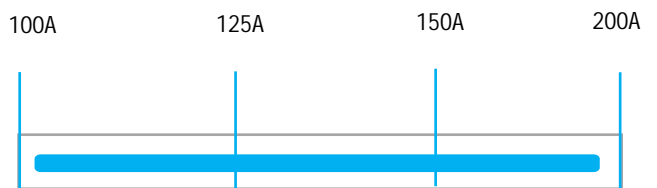
## Applications

- Switching power supply
- General electronic equipment
- Power equipment such as UPS
- Power monitoring equipment
- Measuring equipment

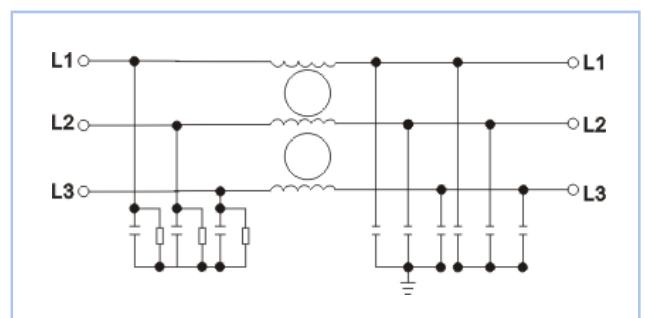
## Performance Indicator



## Rated Current [A]

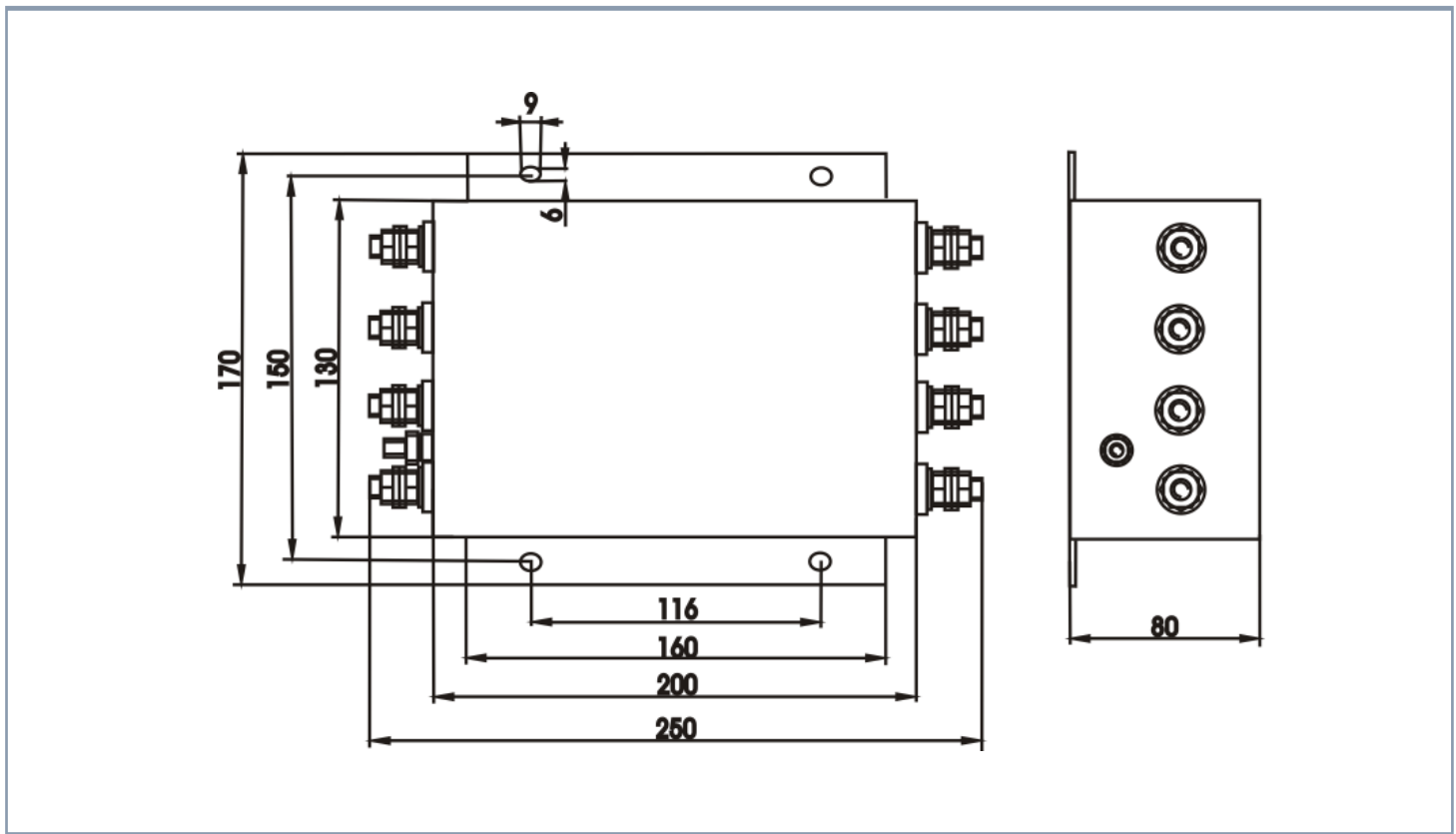


## Typical Circuit Diagram



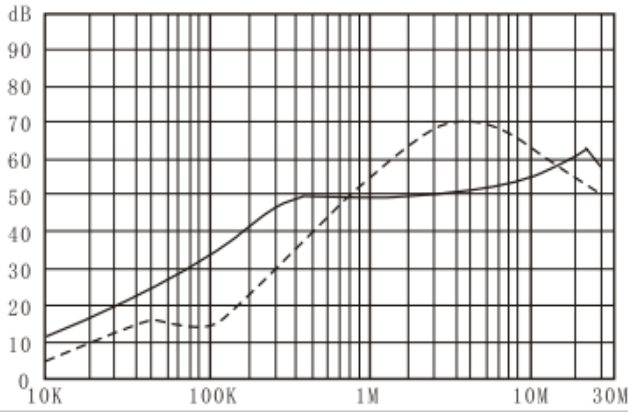
Part No	Rated Current	Rated Current	Case Type	Termination		Safety Certification	Remark
				Input	Output		
DAC44-100A	100A	<6.0mA	C44	Bolt	Bolt	CE, ROHS	Parameter customization
DAC44-125A	125A	<6.0mA	C44	Bolt	Bolt		
DAC44-150A	150A	<10.0mA	C44	Bolt	Bolt		
DAC44-200A	200A	<12.0mA	C44	Bolt	Bolt		

Overall Dimension ( ±1mm)

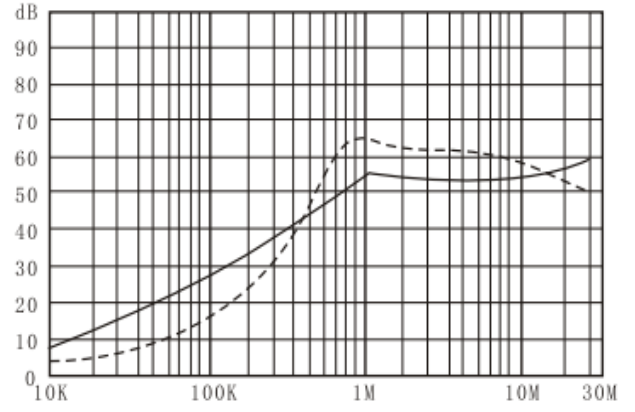


# Insertion loss

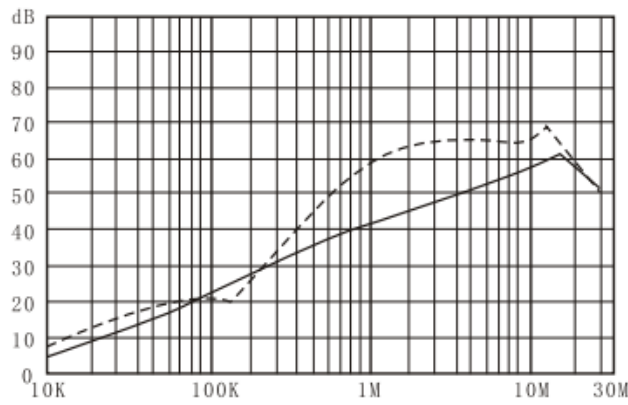
———— Common mode    - - - - - Di fference modul e



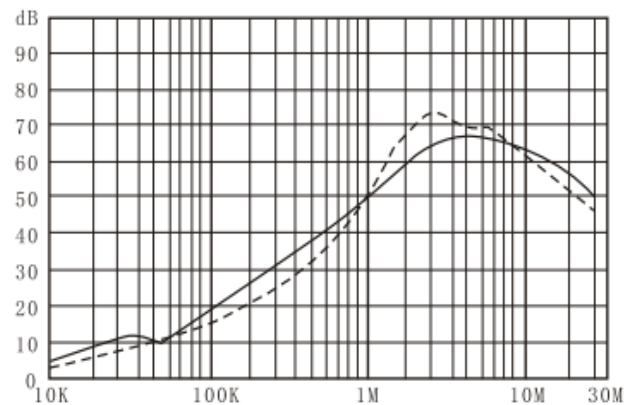
DAC44-100A



DAC44-125A



DAC44-150A



DAC44-200A