



Approval & Compliance



Features

- Rated Current:1A-10A
- Small size, easy to install, universal filter
- Strong anti-interference, relatively stable performance
- Can be customized upon request

Applications

- Electric power system
- Electronic equipment
- Various disinfection and purification equipment
- Laser cutting equipment
- Autonomous robots and so on

Product Information

EMI single-phase universal filter-DAA1

Description

Small size, easy to install, is a general filter, with inserts and wiring connections, can be customized, strong anti-interference, stable performance, a wide range of features.

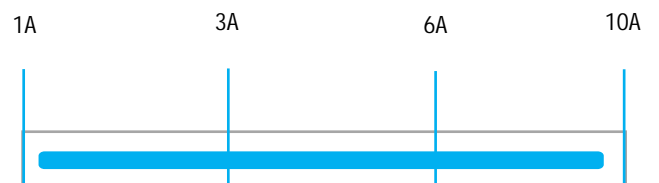
Technical Data

Rated Voltage	115/250VAC
Line Frequency	50/60Hz
Test Voltage	1500VDC(line/line) 2150VAC(line/ground)
Insulation Resistance	>50M @500VDC
Temperature Rise	<30
Climatic Category	25/085/21
Housing Material	Nickel-plated iron

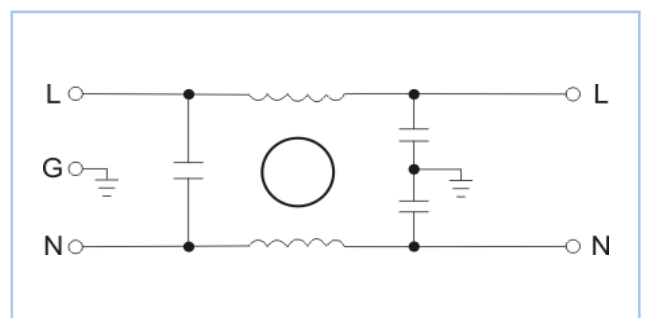
Performance Indicator



Rated Current [A]

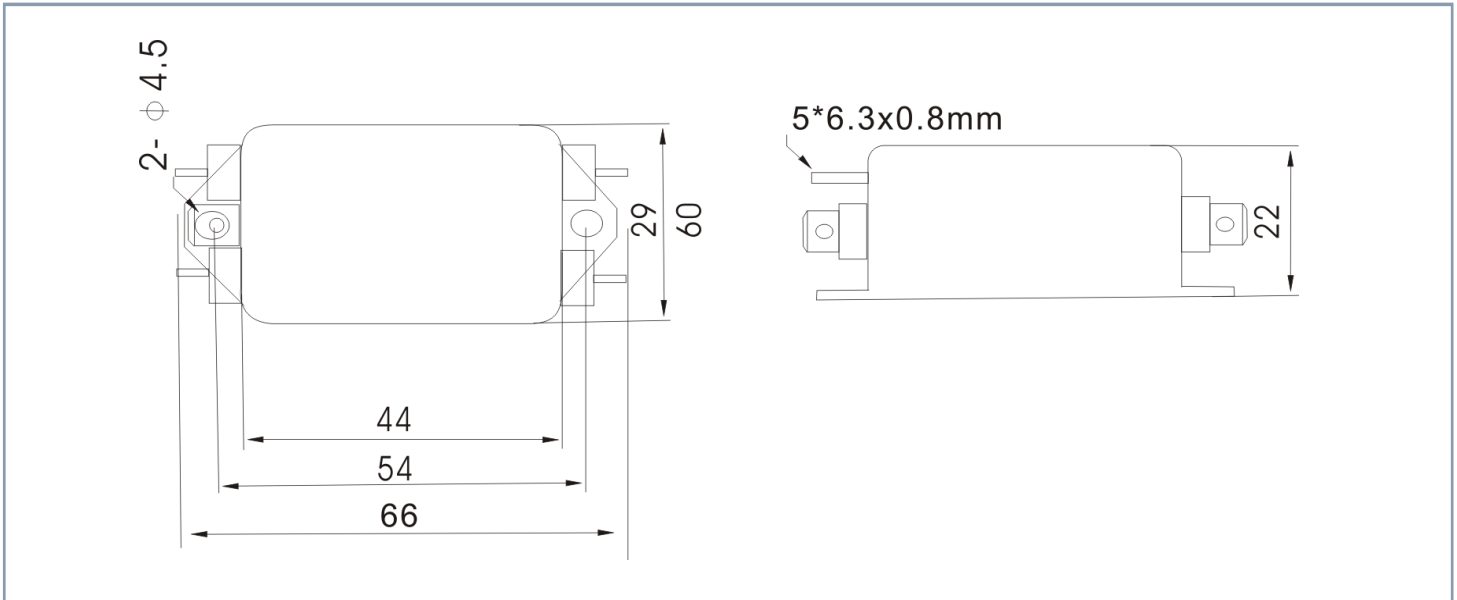


Typical Circuit Diagram



Part No	Rated Current	Leakage Current	Case Type	Termination		Safety Certification	Remark
				Input	Output		
DAA1-1A	1A	<0.5mA	A1			CUL、CE CQC、ROHS	Parameter customization
DAA1-3A	3A	<0.5mA	A1				
DAA1-6A	6A	<0.5mA	A1				
DAA1-10A	10A	<0.5mA	A1				

Overall Dimension (±1mm)



Insertion loss -(common mode)

