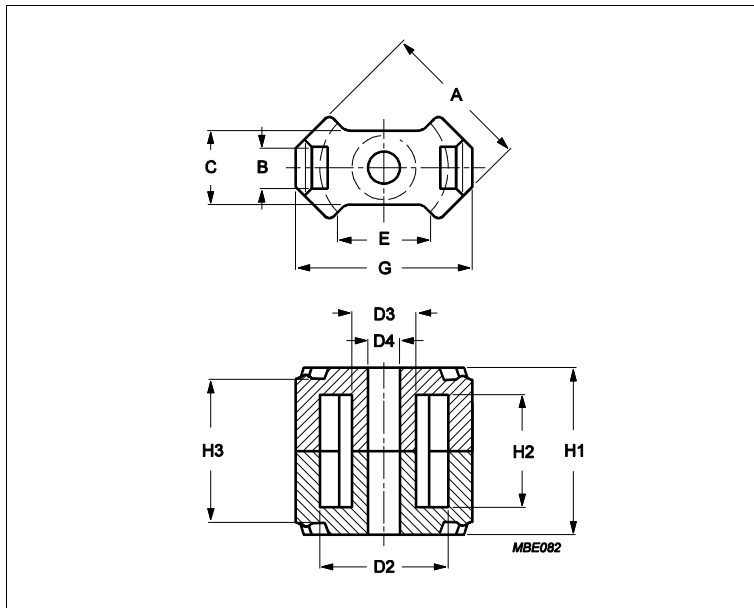


Core **RM4**



Effective parameters			
	Parameter	Value	Unit
$\Sigma(I/A)$	core factor (C1)	1.94	mm ⁻¹
Ve	effective volume	230	mm ³
Le	effective length	21.3	mm
Ae	effective area	11	mm ²
Amin	minimum area	8.1	mm ²
m	RM4	≈ 1.5	g/set

Dimensions for product: RM4

	Nom	Tol +	Tol -	Max	Min	Unit
A	9.80	0.00	0.40	9.80	9.40	mm
B	2.50			2.50	2.50	mm
C	4.60	0.00	0.20	4.60	4.40	mm
D2	7.95	0.40	0.00	8.35	7.95	mm
D3	3.90	0.00	0.20	3.90	3.70	mm
D4	2.04	0.06	0.00	2.10	2.04	mm
E					5.80	mm
G	11.00	0.00	0.50	11.00	10.50	mm
H1	10.40	0.10	0.10	10.50	10.30	mm
H2	7.00	0.40	0.00	7.40	7.00	mm
H3	9.00	0.14	0.14	9.14	8.86	mm

Inductance factor

Material	Value	Tol +	Tol -	Unit
3D3	400	25%	25%	nH/turns ²
3H3	900	25%	25%	nH/turns ²

Accessories

Ordering name	Description	Ordering code
CLI/P-RM4/5	Clip, with ground pin	432202131904

Core **RM4**

CPVS-RM4-1S-6P	Coil former, termoplastic, vertical, SMD	432202100541
CSV-RM4-1S-5P	Coil former, termoset, vertical	432202103471
CSV-RM4-1S-6P	Coil former, termoset, vertical	432202100971
CSV-RM4-1S-6P-C	Coil former, termoset, vertical	432202107481
CSV-RM4-2S-6P	Coil former, termoset, vertical	432202106541