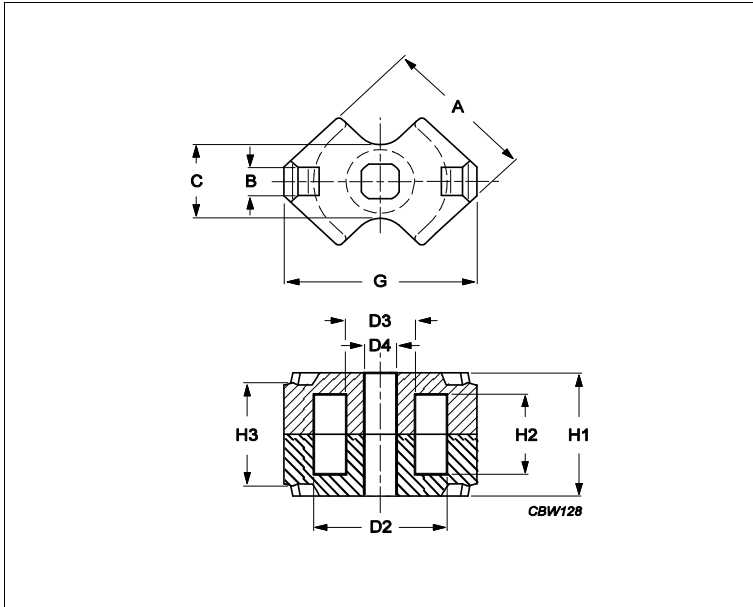


## Core **RM6R**



Effective parameters			
	Parameter	Value	Unit
$\Sigma(I/A)$	core factor (C1)	0.81	mm <sup>-1</sup>
<b>Ve</b>	effective volume	810	mm <sup>3</sup>
<b>Le</b>	effective length	25.6	mm
<b>Ae</b>	effective area	32	mm <sup>2</sup>
<b>Amin</b>	minimum area	23.8	mm <sup>2</sup>
<b>m</b>	RM6R	≈ 4.5	g/set

Dimensions for product: RM6R						
	Nom	Tol +	Tol -	Max	Min	Unit
<b>A</b>	14.70	0.00	0.60	14.70	14.10	mm
<b>B</b>	2.90			2.90	2.90	mm
<b>C</b>	7.40	0.00	0.40	7.40	7.00	mm
<b>D2</b>	12.40	0.50	0.00	12.90	12.40	mm
<b>D3</b>	6.40	0.00	0.20	6.40	6.20	mm
<b>D4</b>	3.00	0.10	0.00	3.10	3.00	mm
<b>G</b>	17.90	0.00	0.70	17.90	17.20	mm
<b>H1</b>	12.40	0.10	0.10	12.50	12.30	mm
<b>H2</b>	8.00	0.40	0.00	8.40	8.00	mm
<b>H3</b>	10.35	0.20	0.20	10.55	10.15	mm

Inductance factor				
Material	Value	Tol +	Tol -	Unit
3D3	1000	25%	25%	nH/turns <sup>2</sup>
3H3	2200	25%	25%	nH/turns <sup>2</sup>

Accessories		
Ordering name	Description	Ordering code
CLI/P-RM6	Clip, with ground pin	432202131787
CSV-RM6R-1S-6P-IZ-C	Coil former, termostet, vertical	432202107211

---

Core **RM6R**

---

CSV-RM6R-2S-6P	Coil former, termoset, vertical	432202134561
CSV-RM6R-2S-6P-IZ	Coil former, termoset, vertical	432202106921
CSV-RM6S/R-1S-4P-IZ	Coil former, termoset, vertical	432202106891
CSV-RM6S/R-2S-4P-IZ	Coil former, termoset, vertical	432202106901