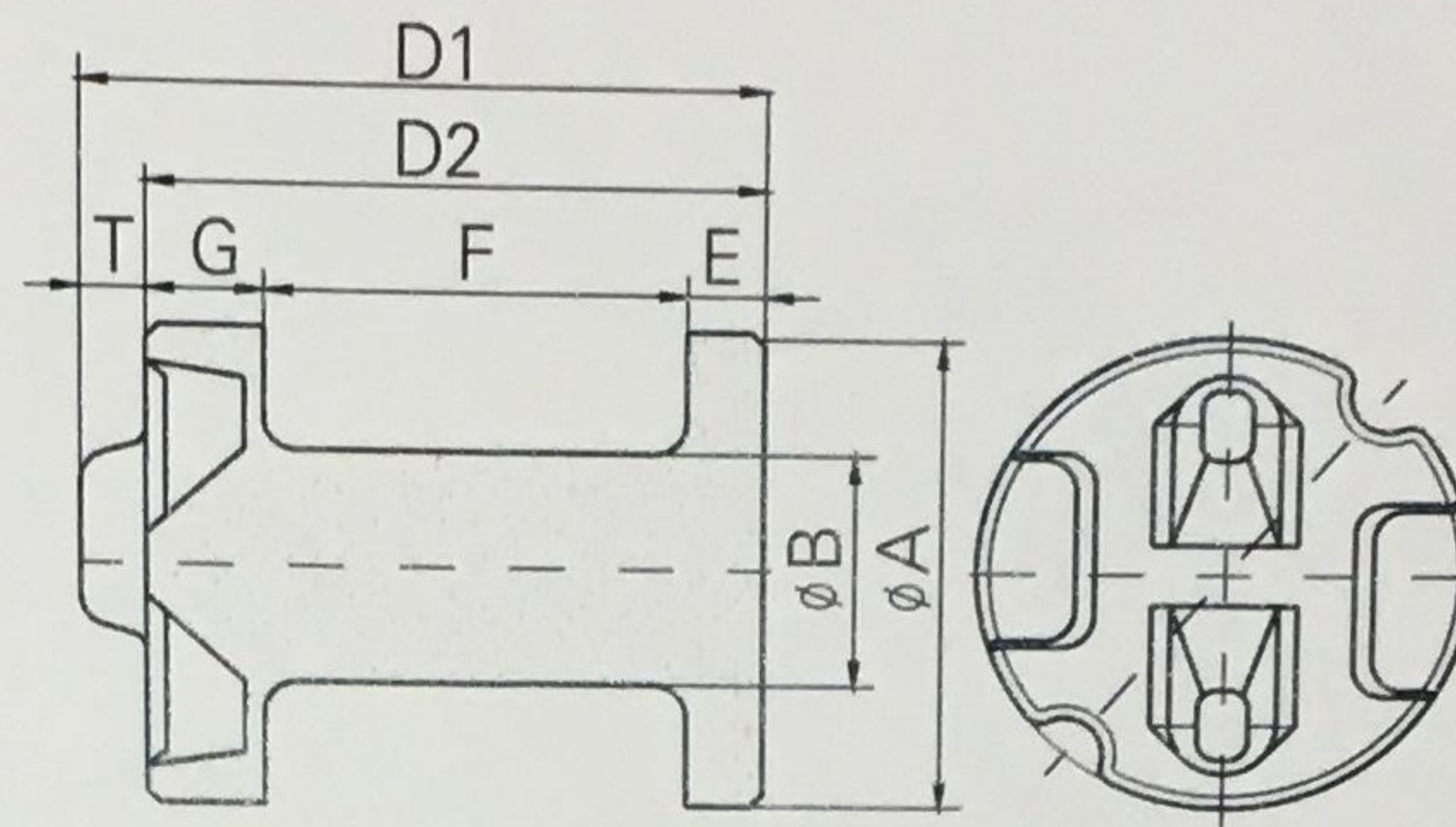
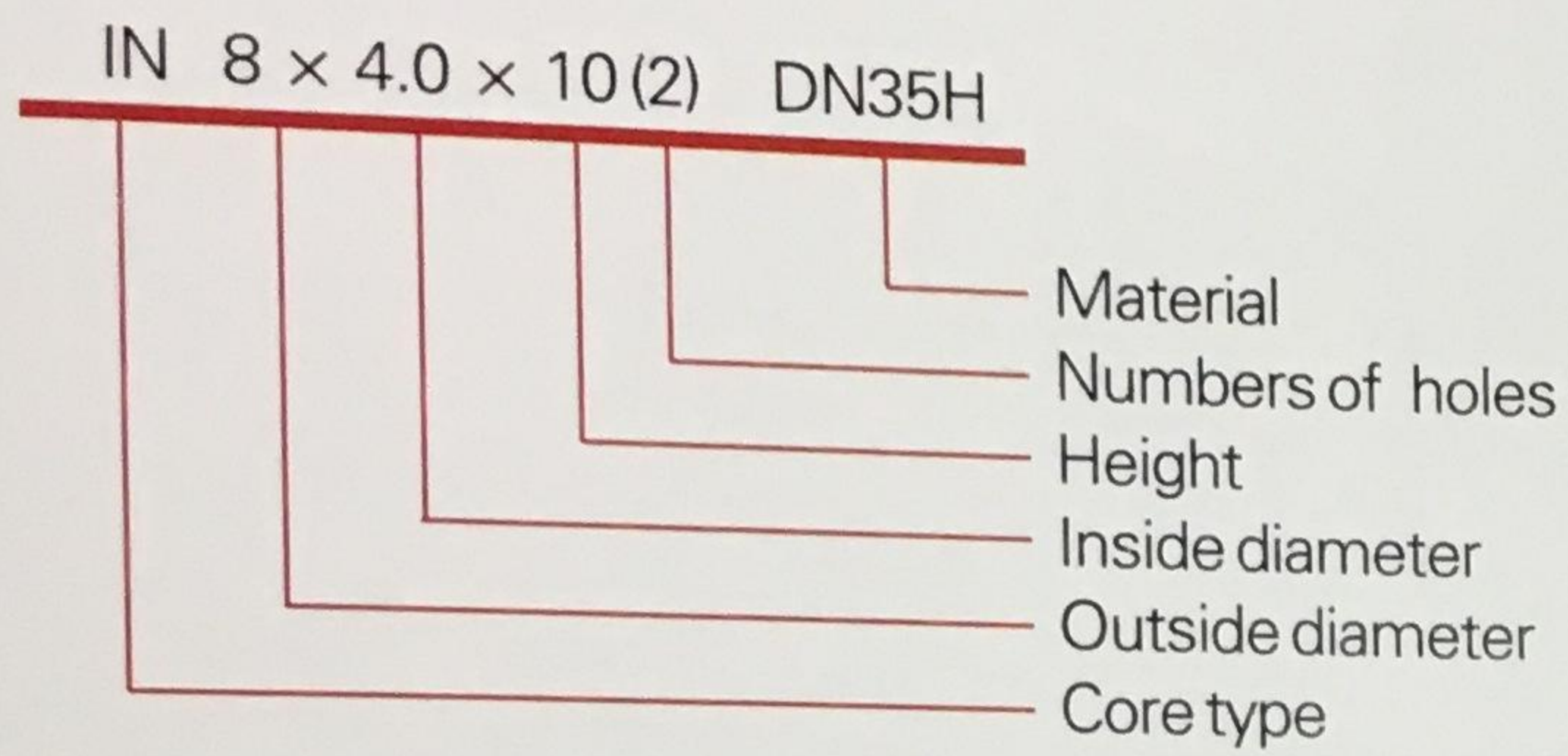


I Cores (IN)

ORDERING CODE SYSTEM



Material: DN35H DN65H DN80H DN100H DN30B DN40B DN50B

| Part number | Dimensions(mm) | | | | | | | |
|------------------------|----------------|------------|-------------|-----------------------------------|------------|------------|------------|-----------|
| | ϕA | ϕB | D1 | D2 | E | F | G | T |
| IN4.5 × 2.0 × 6.35(2) | 4.5 ± 0.15 | 2 ± 0.15 | 6.35 ± 0.15 | | 0.95 ± 0.1 | 3.3 ± 0.15 | 1.4 ± 0.1 | 0.7 ± 0.1 |
| IN4.5 × 2.0 × 7.0(2) | 4.5 ± 0.15 | 2 ± 0.15 | 7.0 ± 0.15 | | 1.0 ± 0.1 | 3.9 ± 0.15 | 1.4ref | 0.7 ± 0.1 |
| IN7.8 × 3.8 × 10.5A(2) | 7.8 ± 0.2 | 3.8 ± 0.15 | 10.5 ± 0.2 | 9.3 ^{+0.4} ₋₀ | 1.2 ± 0.15 | 6.5 ± 0.15 | 1.8 ± 0.15 | 1.0 ± 0.1 |
| IN8 × 4.0 × 10(2) | 8.0 ± 0.2 | 4.0 ± 0.15 | 10.0 ± 0.3 | | 1.5 ± 0.15 | 5.5 ± 0.15 | 1.8 ± 0.15 | 1.2ref |
| IN8 × 4.5 × 11(2) | 8 ± 0.2 | 4.5 ± 0.15 | 11.0 ± 0.3 | | 1.5 ± 0.15 | 6.5 ± 0.15 | 1.8 ± 0.15 | 1.2ref |
| IN10 × 5.3 × 14(2) | 10 ± 0.2 | 5.3 ± 0.2 | 14 ± 0.3 | | 2.8 ± 0.15 | 7.1 ± 0.15 | 2.8 ± 0.15 | 1.3 ± 0.1 |
| IN12 × 6.5 × 16(2) | 12 ± 0.2 | 6.5 ± 0.2 | 16 ± 0.3 | | 2.0 ± 0.2 | 10 ± 0.3 | 2.0 ± 0.1 | 2.0ref |

REMARK: OTHER SIZE ARE AVAILABLE UPON REQUEST